

	<h1 style="margin: 0;">AKD4116-B</h1> <h2 style="margin: 0;">AK4116 Evaluation Board Rev.0</h2>
---	---

**GENERAL DESCRIPTION**

AKD4116-B is the evaluation board for AK4116, 192kHz digital audio receiver. This board has optical connector and BNC connector to interface with other digital audio equipment.

■ **Ordering guide**

AKD4116-B --- Evaluation board for AK4116  
 (A cable for connecting with printer port of IBM-AT compatible PC and a control software are packed with this. The control software does not operate on Windows NT.)

**FUNCTION**

□ **Digital interface**

- S/PDIF :  
 1 channel input (optical or BNC)
- Serial audio data I/F :  
 1 output (for DIR data output. 10-pin port)

□ **Serial control data I/F**

- 1 input/output port (10-pin port)

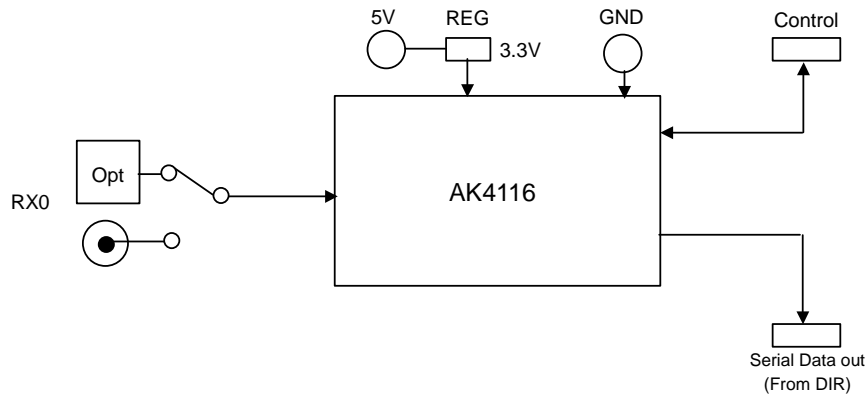


Figure 1. AKD4116-B Block Diagram

\*Circuit diagram and PCB layout are attached at the end of this manual.

**Evaluation Board Manual**

■ **Operating sequence**

- (1) **Set up the power supply lines.**  
 [+ 5V]      (Red) = 5V  
 [GND]      (Black) = 0V

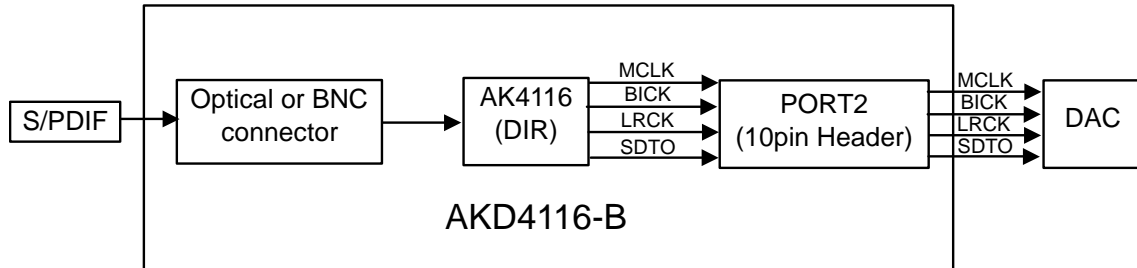
- (2) **Set up the evaluation mode and jumper pins.** (Refer to the following item.)

- (3) **Connect cables.** (Refer to the following item.)

- (4) **Power on.**  
 The AK4116 should be reset once bringing PDN(SW2) “L” upon power-up.

■ **Evaluation modes**

- (1) Evaluation for DIR



The DIR generates MCLK, BICK, LRCK and SDATA from the received data through optical connector(PORT1: TORX176) or BNC connector . The AKD4116-B can be connected with the AKM’s DAC evaluation board via 10-line cable.

- a. Set-up of Bi-phase Input

- a-1. RX0

Connector	JP2(RX0)
Optical (PORT1)	OPT
BNC (J2)	BNC

Table 1. Set-up of RX0

When S/PDIF signal is inputted from PORT1 (optical), JP19 should be short.

b. Set-up of clock input and output

The signal level outputted/inputted from PORT2 is 3.3V.

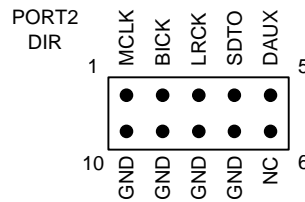


Figure 2. PORT2 pin layout

b-1. MCKO

The AK4116 has a master clock output pin, MCKO. In PLL mode, PLL lock range is up to 48kHz and the MCKO frequency is fixed to 256fs.

In the X'tal mode, XCKS1-0 bits select the ratio of the X'tal frequency to fs (sampling frequency). The DIV bit selects the ratio (x1 or x1/2) of the MCKO frequency to the X'tal frequency (Table 2).

XCKS1	XCKS0	X'tal or EXT	MCKO		fs [kHz]						
					EXTCLK [MHz]			X'tal [MHz]			
			DIV=0	DIV=1	2.048	4.096	8.192	11.2896	12.288	24.576	
0	0	128fs	128fs	64fs	16	32	N/A	N/A	N/A	N/A	Default
0	1	256fs	256fs	128fs	8	16	32	44.1	48	N/A	
1	0	512fs	512fs	256fs	N/A	8	16	N/A	N/A	48	
1	1	1024fs	1024fs	512fs	N/A	N/A	8	N/A	N/A	N/A	

Table 2. Master Clock Frequency Select  
(X'tal mode: Clock operation mode 1, 2(UNLCK=1), 3)

c. Set-up of Audio format

Please set up DIF2-0 bit.

Mode	DIF2 bit	DIF1 bit	DIF0 bit	DAUX	SDTO	LRCK	
							I/O
0	0	0	0	24bit, Left justified	16bit, Right justified	H/L	O
1	0	0	1	24bit, Left justified	18bit, Right justified	H/L	O
2	0	1	0	24bit, Left justified	20bit, Right justified	H/L	O
3	0	1	1	24bit, Left justified	24bit, Right justified	H/L	O
4	1	0	0	24bit, Left justified	24bit, Left justified	H/L	O
5	1	0	1	24bit, I <sup>2</sup> S	24bit, I <sup>2</sup> S	L/H	O
6	1	1	0	Reserved			
7	1	1	1				

Default

Table 3. Audio format

d. Set-up of CM1 and CM0

The operation mode of PLL is selected by CM1 and CM0. It can be selected by CM1-0 bits.

CM1 bit	CM0 bit	(UNLOCK)	PLL	X'tal	Clock source	SDTO source
0	0	-	ON	ON(Note 1)	PLL(RX)	RX
0	1	-	OFF	ON	X'tal	DAUX
1	0	0	ON	ON	PLL(RX)	RX
		1	ON	ON	X'tal	DAUX
1	1	-	ON	ON	X'tal	DAUX

Default

ON: Oscillation (Power-up), OFF: STOP (Power-Down)

Note: When the X'tal is not used as clock comparison for fs detection (XTL0, 1= "1,1"), the X'tal is OFF.

Table 4. Clock Operation Mode Select

■ **Serial control**

The AK4116 can be controlled via the printer port (parallel port) of IBM-AT compatible PC. Connect PORT6 (uP-I/F) with PC by 10-line flat cable packed with the AKD4116-B. Take care of the direction of connector. There is a mark at pin#1. The pin layout of PORT6 is as Figure 3.

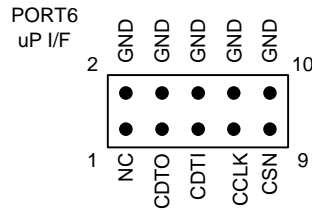


Figure 3. PORT6 pin layout

This evaluation board encloses control software. A software operation procedure is included in an evaluation board manual.

■ **Toggle switch set-up**

SW2	PDN	Reset switch for AK4116. Set to “H” during normal operation. Bring to “L” once after the power is supplied.
-----	-----	---

■ **LED indication**

LE1	INT0	Bright when INT0 pin goes to “H”.
LE2	INT1	Bright when INT1 pin goes to “H”.

■ **Set-up of XTL1 and XTL0**

XTL1 bit	XTL0 bit	X’tal Frequency	Default
		X’tal #1	
0	0	11.2896MHz	
0	1	12.288MHz	
1	0	24.576MHz	
1	1	(Use channel status)	

Table 5. Reference X’tal frequency

■ **Jumper set up.**

No.	Jumper Name	Function
2	RX0	Set-up of RX0 input circuit. OPT : Optical (default) BNC : BNC

## Control Software Manual

### ■ Set-up of evaluation board and control software

1. Set up the AKD4116-B according to previous term.
2. Connect IBM-AT compatible PC with AKD4116-B by 10-line type flat cable (packed with AKD4116-B). Take care of the direction of 10pin header. (Please install the driver in the CD-ROM when this control software is used on Windows 2000/XP. Please refer "Installation Manual of Control Software Driver by AKM device control software". In case of Windows95/98/ME, this installation is not needed. This control software does not operate on Windows NT.)
3. Insert the CD-ROM labeled "AKD4116-B Evaluation Kit" into the CD-ROM drive.
4. Access the CD-ROM drive and double-click the icon of "akd4116-b0.exe" to set up the control program.
5. Then please evaluate according to the follows.

### ■ Operation flow

Keep the following flow.

1. Set up the control program according to explanation above.
2. Click "Write default" button.
3. Then set up the dialog and input data.

### ■ Explanation of each buttons

- |                      |  |
|----------------------|--|
| 1. [Port Setup] :    | Set up the printer port.                         |
| 2. [Write default] : | Initialize the register of AK4116.               |
| 3. [All Write] :     | Write all registers that is currently displayed. |
| 4. [Read All] :      | All the registers of AK4116 are read.            |
| 5. [Function1] :     | Dialog to write data by keyboard operation.      |
| 6. [F3] :            | Dialog of sequential writing.                    |
| 7. [SAVE] :          | Save the current register setting.               |
| 8. [OPEN] :          | Write the saved values to all register.          |
| 9. [Write] :         | Dialog to write data by mouse operation.         |
| 10. [Read] :         | The data corresponding to each register is read. |

### ■ Explanation of each dialog

1. [Function1 Dialog] : Dialog to write data by keyboard operation

Address Box: Input register address in 2 figures of hexadecimal.

Data Box: Input register data in 2 figures of hexadecimal.

If you want to write the input data to AK4116, click "OK" button. If not, click "Cancel" button.

2. [Write Dialog] : Dialog to write data by mouse operation

There are dialogs corresponding to each register.

Click the "Write" button corresponding to each register to set up the dialog. If you check the check box, data becomes "H" or "1". If not, "L" or "0".

If you want to write the input data to AK4116, click "OK" button. If not, click "Cancel" button.

### ■ Indication of data

Input data is indicated on the register map. Red letter indicates "H" or "1" and blue one indicates "L" or "0". Blank is the part that is not defined in the datasheet.

### ■ Attention on the operation

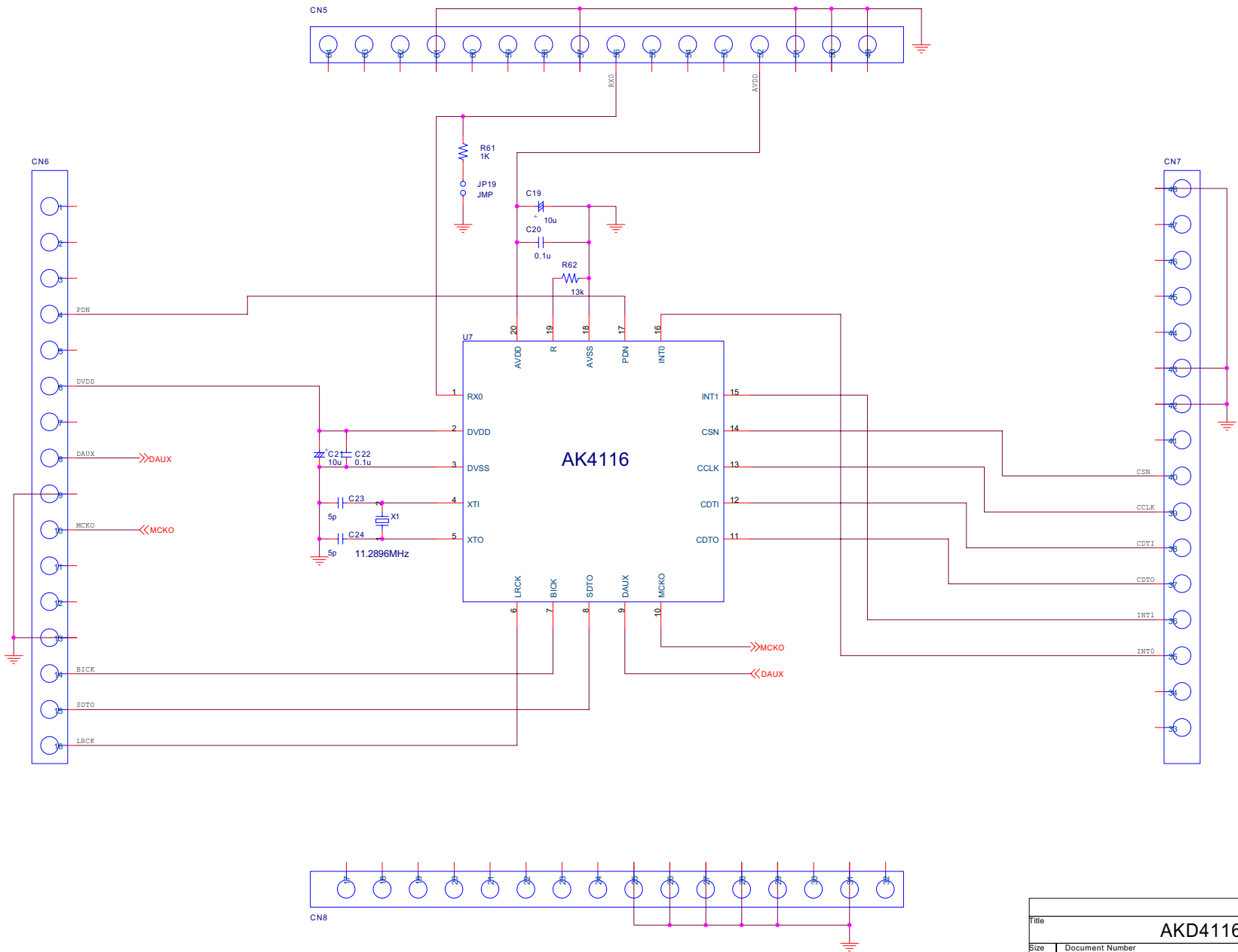
If you set up Function1 dialog, input data to all boxes. Attention dialog is indicated if you input data or address that is not specified in the datasheet or you click "OK" button before you input data. In that case set up the dialog and input data once more again. These operations does not need if you click "Cancel" button or check the check box.

**Revision History**

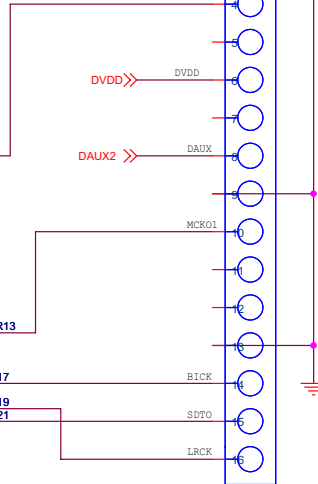
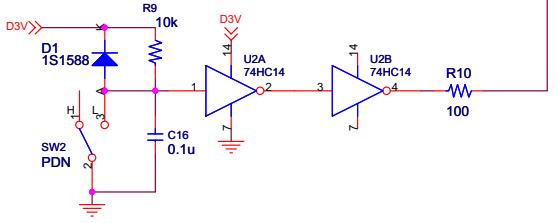
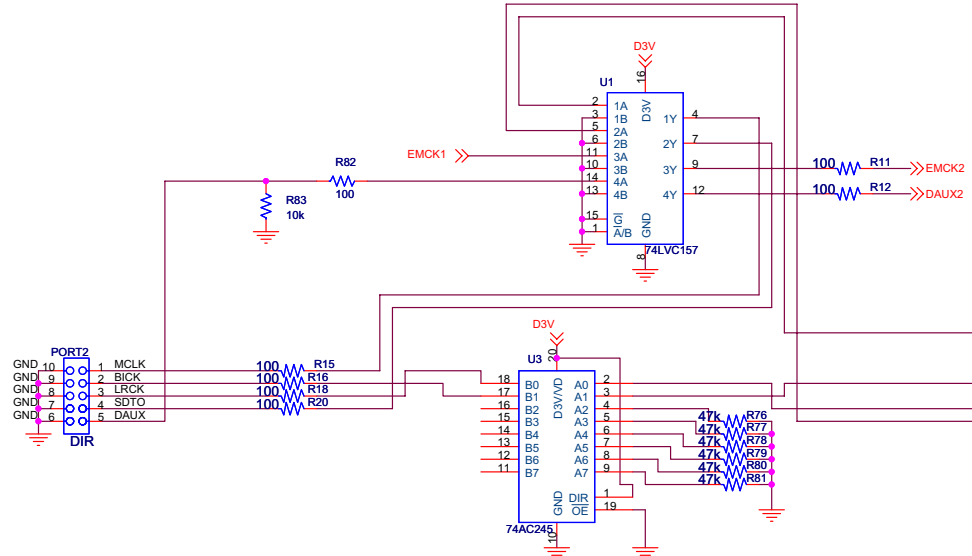
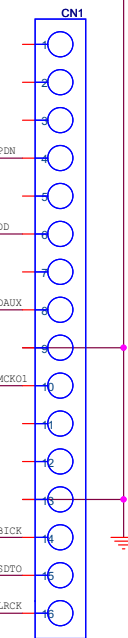
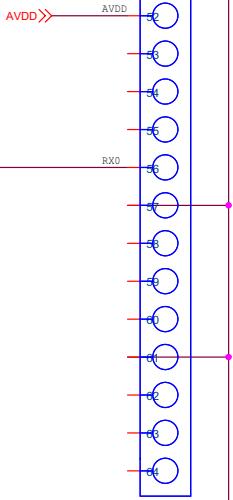
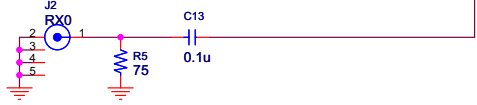
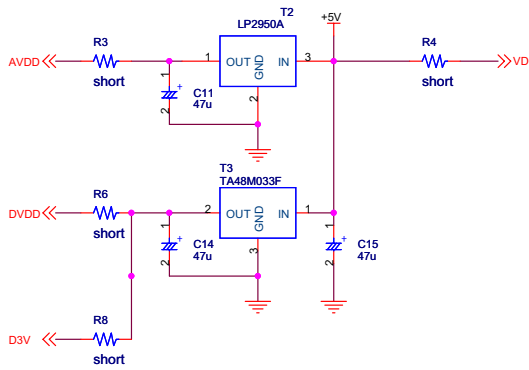
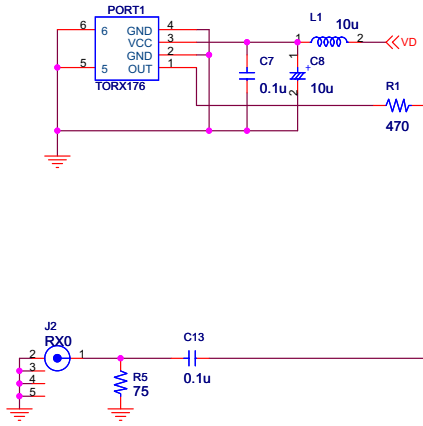
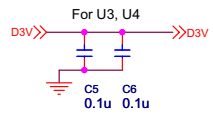
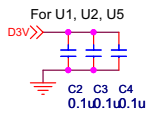
Date (YY/MM/DD)	Manual Revision	Board Revision	Reason	Contents
05/01/21	KM077400	0	First edition	

IMPORTANT NOTICE

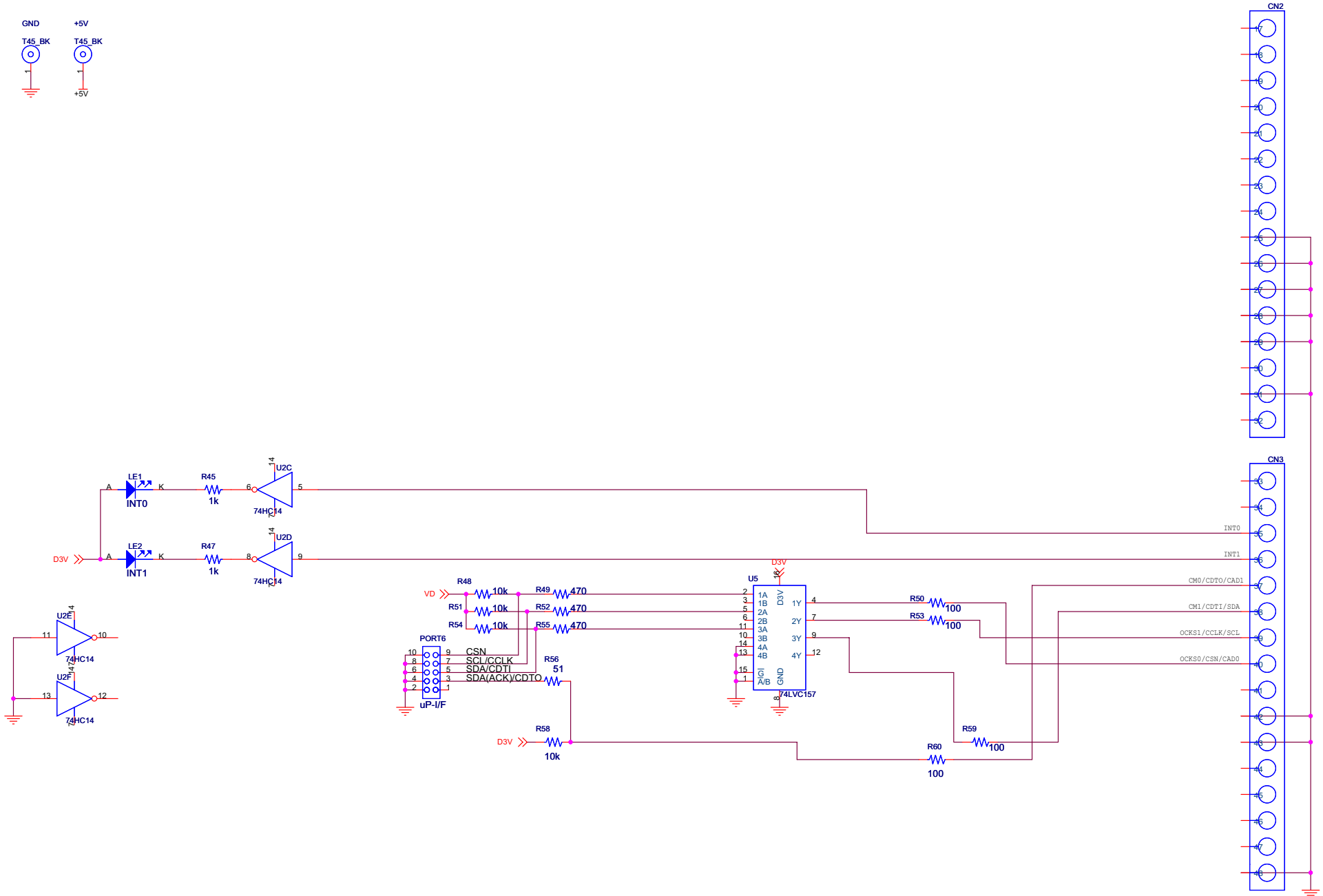
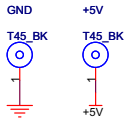
- These products and their specifications are subject to change without notice. Before considering any use or application, consult the Asahi Kasei Microsystems Co., Ltd. (AKM) sales office or authorized distributor concerning their current status.
- AKM assumes no liability for infringement of any patent, intellectual property, or other right in the application or use of any information contained herein.
- Any export of these products, or devices or systems containing them, may require an export license or other official approval under the law and regulations of the country of export pertaining to customs and tariffs, currency exchange, or strategic materials.
- AKM products are neither intended nor authorized for use as critical components in any safety, life support, or other hazard related device or system, and AKM assumes no responsibility relating to any such use, except with the express written consent of the Representative Director of AKM. As used here:
  - (a) A hazard related device or system is one designed or intended for life support or maintenance of safety or for applications in medicine, aerospace, nuclear energy, or other fields, in which its failure to function or perform may reasonably be expected to result in loss of life or in significant injury or damage to person or property.
  - (b) A critical component is one whose failure to function or perform may reasonably be expected to result, whether directly or indirectly, in the loss of the safety or effectiveness of the device or system containing it, and which must therefore meet very high standards of performance and reliability.
- It is the responsibility of the buyer or distributor of an AKM product who distributes, disposes of, or otherwise places the product with a third party to notify that party in advance of the above content and conditions, and the buyer or distributor agrees to assume any and all responsibility and liability for and hold AKM harmless from any and all claims arising from the use of said product in the absence of such notification.



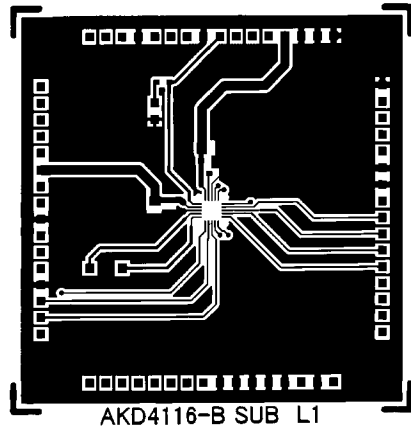
Title			AKD4116		
Size	Document Number	SUB		Rev	A
A3					
Date:	Thursday, September 16, 2004	Sheet	3	of	3



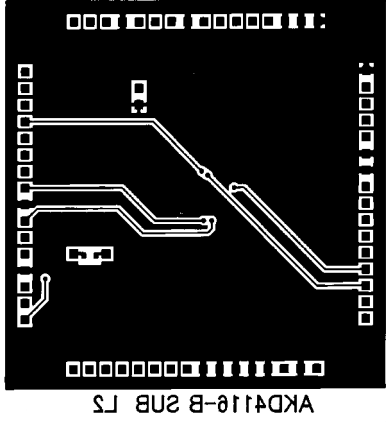
Title			AKD4116-B		
Size	Document Number				Rev
A3	MAIN				0
Date:	Friday, January 21, 2005	Sheet	1	of	2

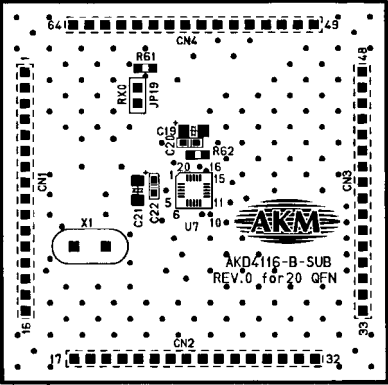


Title			AKD4117-B		
Size	Document Number				Rev
A3	MAIN				0
Date:	Friday, January 21, 2005	Sheet	2	of	2

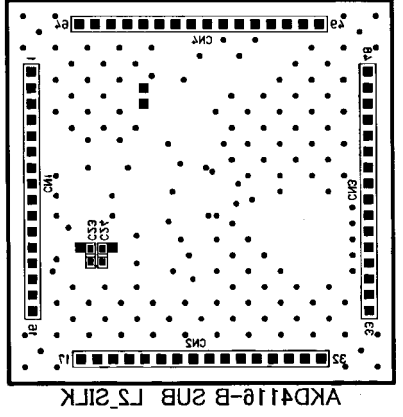


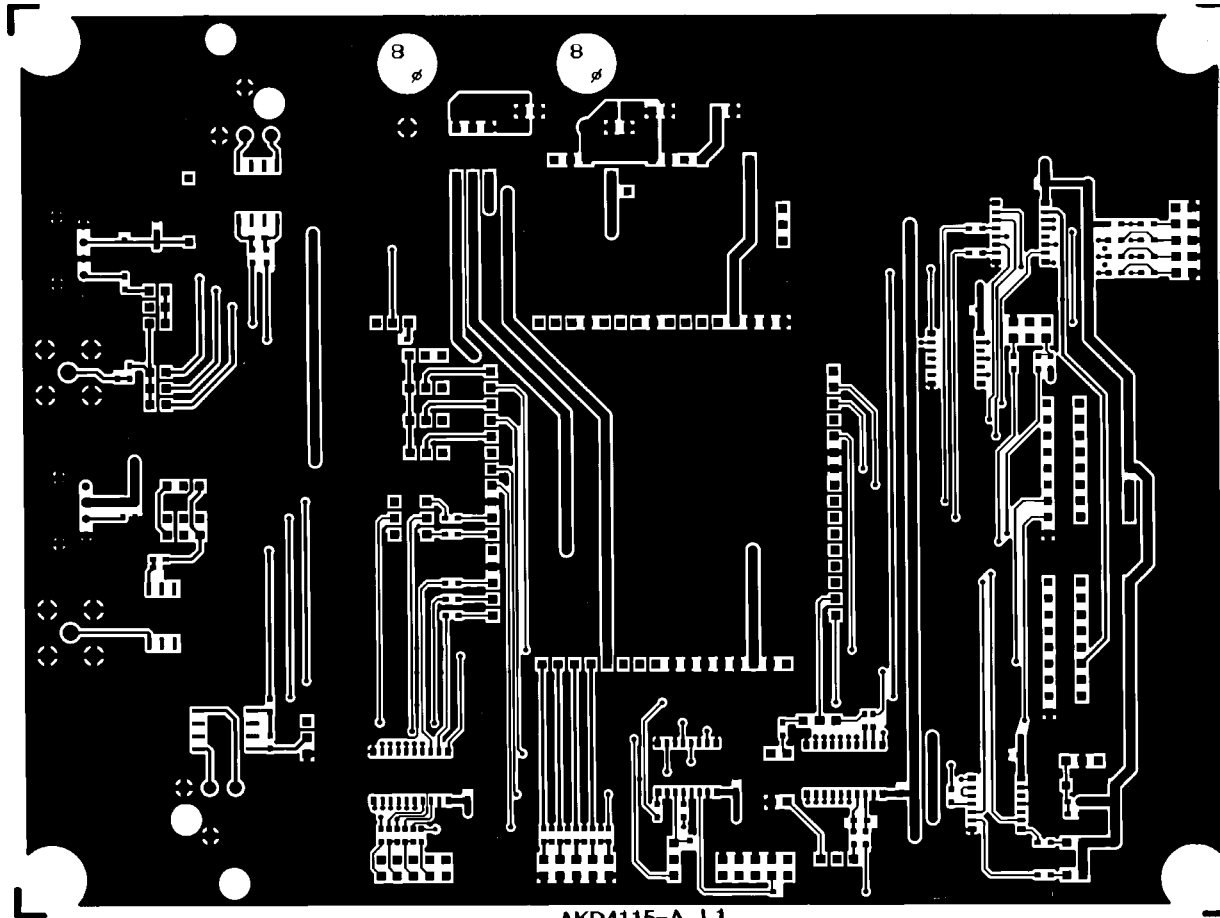
AKD4116-B SUB L1



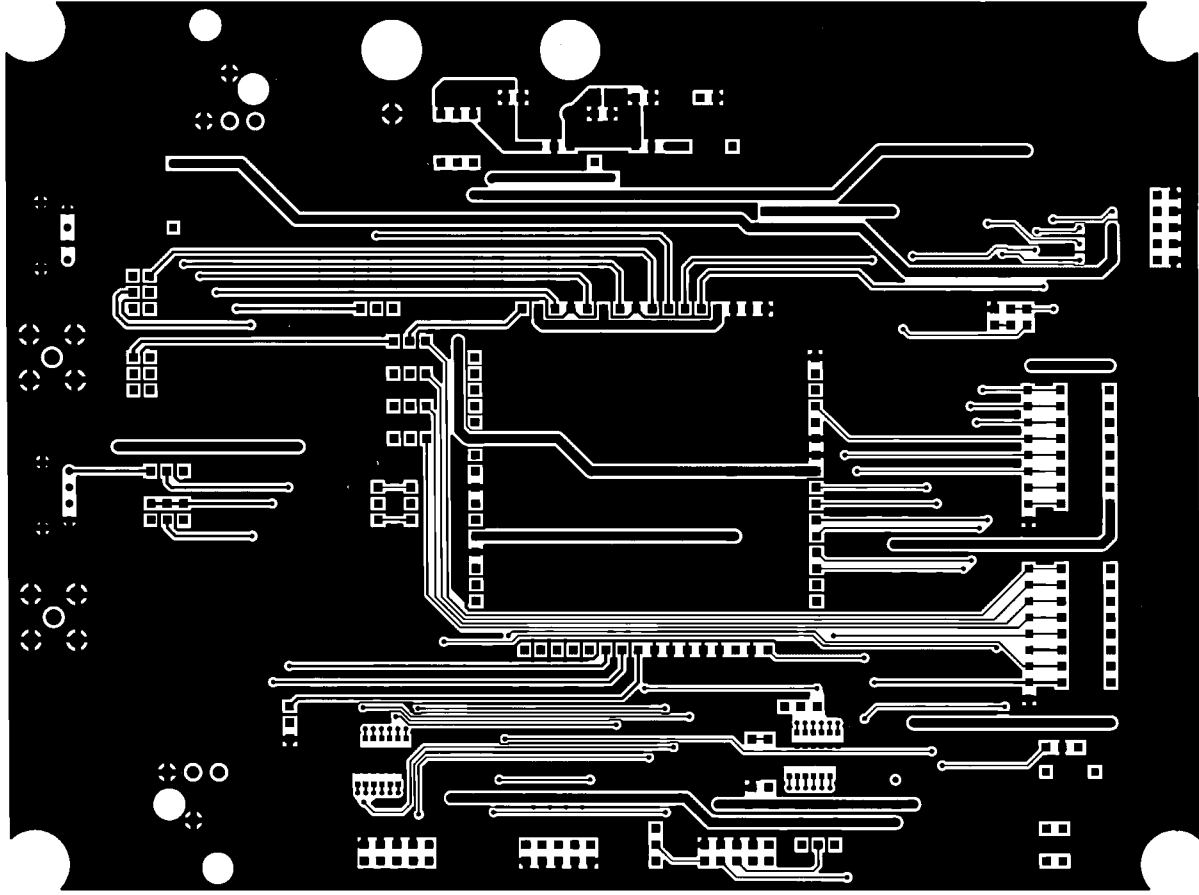


AKD4116-B SUB L1\_SILK

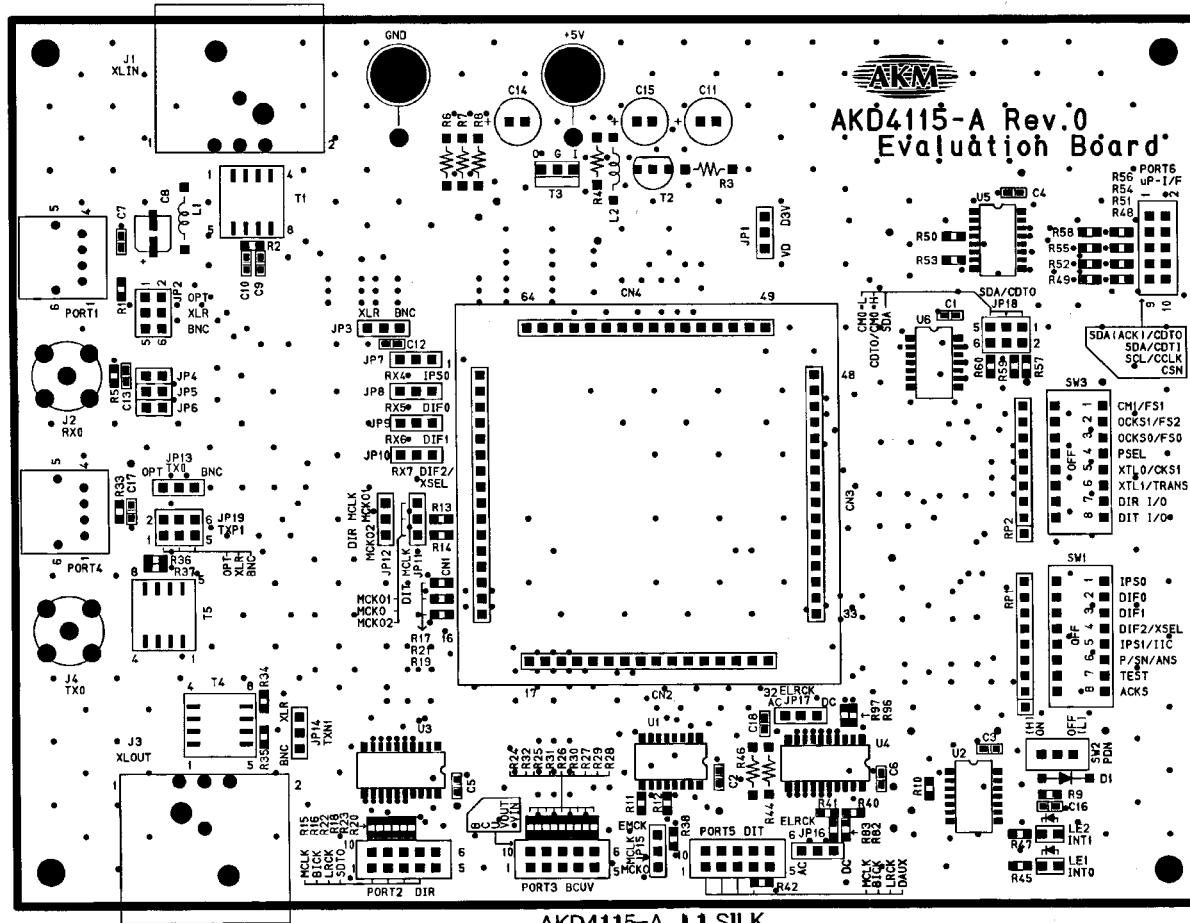




AKD4115-A L1

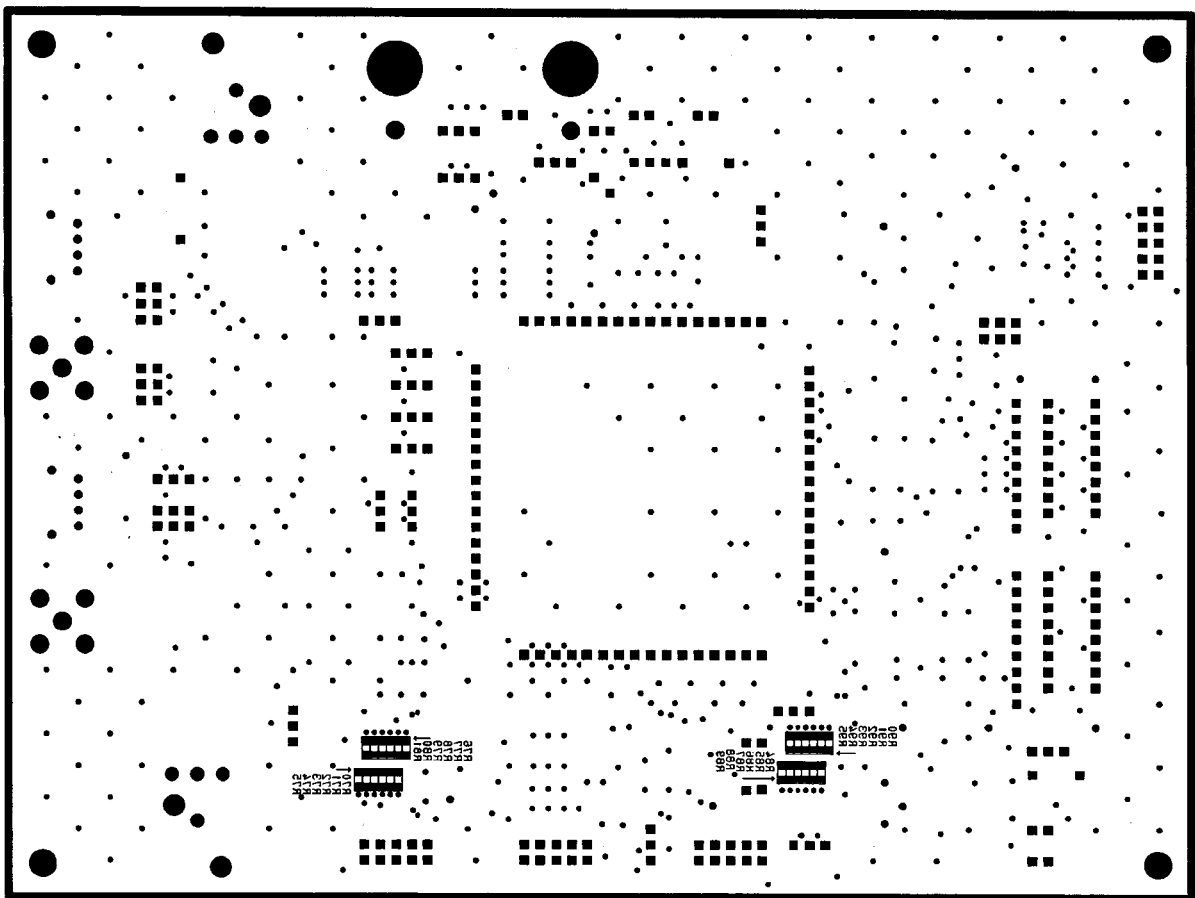


AKD413-A 13



AKM  
**AKD4115-A Rev.0**  
**Evaluation Board**

AKD4115-A L1\_SILK



AKD4112-A LS\_SILK