



# AKD4633-A

## AK4633 Evaluation board Rev.3

**GENERAL DESCRIPTION**

AKD4633-A is an evaluation board for the AK4633VN, 16bit mono CODEC with MIC/SPK amplifier. The AKD4633-A can evaluate A/D converter and D/A converter separately in addition to loopback mode (A/D → D/A). AKD4633-A also has the digital audio interface and can achieve the interface with digital audio systems via opt-connector.

■ **Ordering guide**

AKD4633-A --- Evaluation board for AK4633VN  
 (Cable for connecting with printer port of IBM-AT, compatible PC and control software are packed with this. This control software does not support Windows NT.)

**FUNCTION**

- DIT/DIR with optical input/output
- BNC connector for an external clock input
- 10pin Header for serial control mode

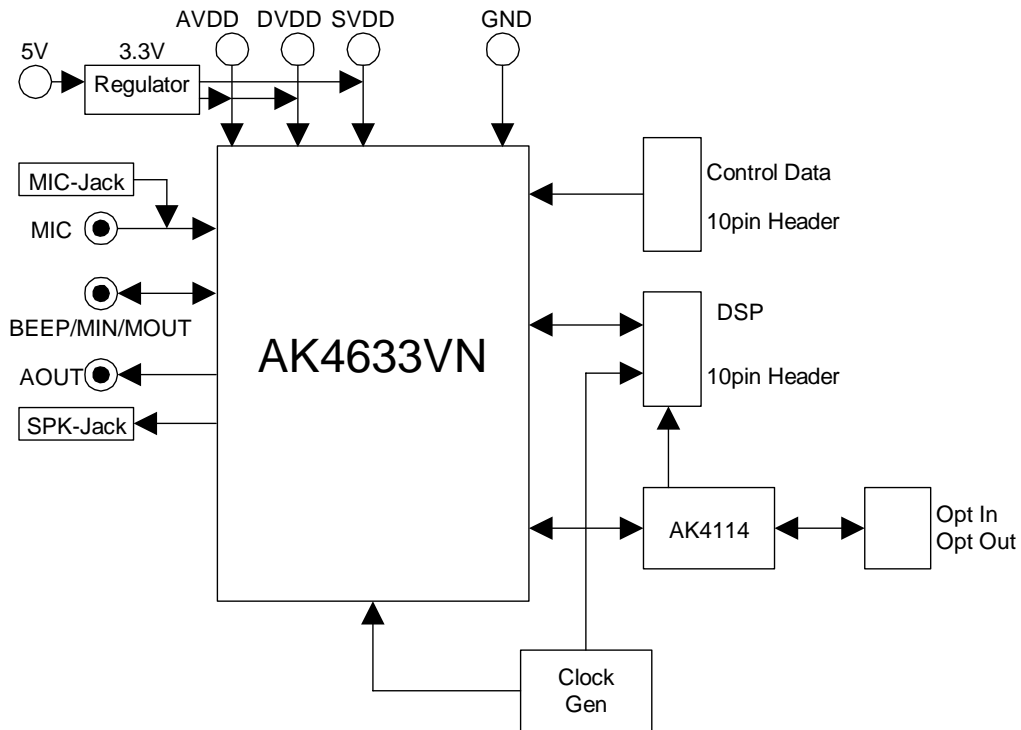


Figure 1. AKD4633-A Block Diagram

\* Circuit diagram and PCB layout are attached at the end of this manual.

<b>Evaluation Board Manual</b>
--------------------------------

## ■ Operation sequence

### 1) Set up the power supply lines.

1-1) When AVDD, DVDD, SVDD, and VCC are supplied from the regulator. (AVDD, DVDD, SVDD, and VCC jack should be open.). See “**Other jumper pins set up** (page 10)”. <default>

[REG]	(red)	= 5V	
[AVDD]	(orange)	= open	: 3.3V is supplied to AVDD of AK4633VN from regulator.
[DVDD]	(orange)	= open	: 3.3V is supplied to DVDD of AK4633VN from regulator.
[SVDD]	(blue)	= open	: 3.3V is supplied to SVDD of AK4633VN from regulator.
[VCC]	(orange)	= open	: 3.3V is supplied to logic block from regulator.
[AVSS]	(black)	= 0V	: for analog ground
[AGND]	(black)	= 0V	: for analog ground
[DGND]	(black)	= 0V	: for logic ground

1-2) When AVDD, DVDD, SVDD, and VCC are not supplied from the regulator. (AVDD, DVDD, SVDD, and VCC jack should be junction.) See “**Other jumper pins set up** (page 10)”.

[REG]	(red)	= “REG” jack should be open.
[AVDD]	(orange)	= 2.6 ~ 3.6V : for AVDD of AK4633VN (typ. 3.3V)
[DVDD]	(orange)	= 2.6 ~ 3.6V : for DVDD of AK4633VN (typ. 3.3V)
[SVDD]	(blue)	= 2.6 ~ 5.25V: for SVDD of AK4633VN (typ. 3.3V, 5.0V)
[VCC]	(orange)	= 2.6 ~ 3.6V : for logic (typ. 3.3V)
[AVSS]	(black)	= 0V : for analog ground
[AGND]	(black)	= 0V : for analog ground
[DGND]	(black)	= 0V : for logic ground

Each supply line should be distributed from the power supply unit.  
AVDD and DVDD must be same voltage level.

### 2) Set up the evaluation mode, jumper pins and DIP switches. (See the followings.)

### 3) Power on.

The AK4633VN and AK4114 should be reset once bringing SW1, 2 “L” upon power-up.

## ■ Evaluation mode

**In case of AK4633VN evaluation using AK4114, it is necessary to correspond to audio interface format for AK4633VN and AK4114. About AK4633VN’s audio interface format, refer to datasheet of AK4633VN. About AK4114’s audio interface format, refer to Table 2 in this manual.**

### Applicable Evaluation Mode

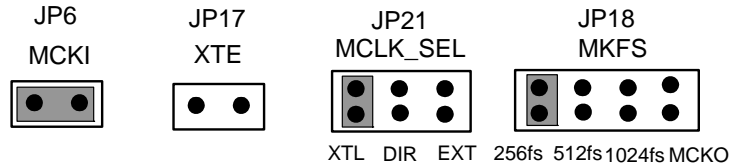
- (1) Evaluation of loop-back mode (A/D → D/A) : PLL, Master Mode
- (2) Evaluation of loop-back mode (A/D → D/A) : PLL, Slave Mode (PLL Reference CLOCK: MCKI pin)
- (3) Evaluation of loop-back mode (A/D → D/A) : PLL, Slave Mode (PLL Reference CLOCK: BICK or FCK pin)
- (4) Evaluation of using DIR of AK4114 (opt-connector) : EXT, Slave Mode
- (5) Evaluation of using DIT of AK4114 (opt-connector) : EXT, Slave Mode

**(1) Evaluation of loop-back mode (A/D → D/A) : PLL, Master Mode**

a) Set up jumper pins of MCKI clock

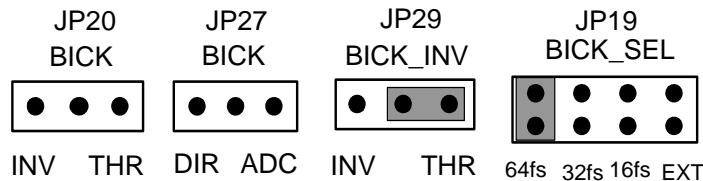
X'tal of 11.2896MHz, 12MHz, 12.288MHz, 13MHz, 24MHz or 27MHz can be set in X2. X'tal of 12.288MHz (Default) is set on the AKD4633VN. Set "No.8 of SW3" to "H".

When an external clock (11.2896MHz, 12MHz, 12.288MHz, 13MHz, 24MHz or 27MHz) through a RCA connector (J8: EXT/BICK) is supplied, select EXT on JP21 (MCLK\_SEL) and short JP17 (XTE). JP23 (EXT1) and R26 should be properly selected in order to match the output impedance of the clock generator.

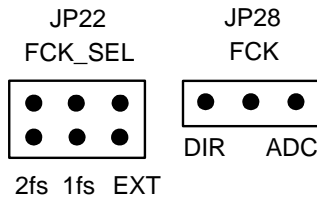


b) Set up jumper pins of BICK clock

Output frequency (16fs/32fs/64fs) of BICK should be set by "BCKO1-0 bit" in the AK4633VN. There is no necessity for set up JP19.



c) Set up jumper pins of FCK clock



d) Set up jumper pins of DATA

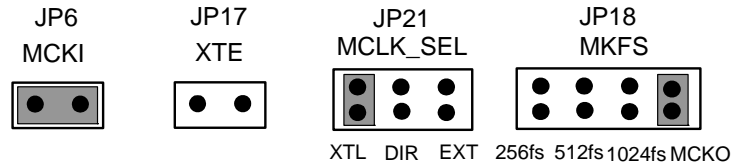
When the AK4633VN is evaluated by loop-back mode (A/D → D/A), the jumper pins should be set to the following.



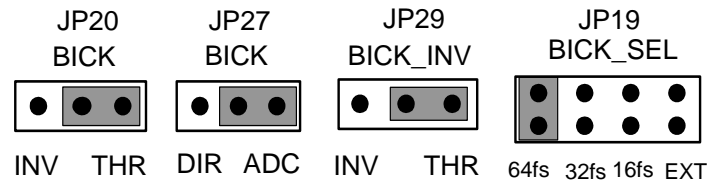
**(2) Evaluation of loop-back mode (A/D → D/A) : PLL, Slave Mode (PLL Reference CLOCK: MCKI pin)**

a) Set up jumper pins of MCKI clock

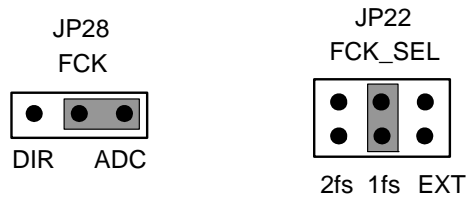
X'tal of 12.288MHz (Default) is set on the AKD4633-A. In this case, the AK4633VN corresponds to PLL reference clock of 12.288MHz. In this evaluation mode, the output clock from MCKO-pin of the AK4633VN is supplied to a divider (U3: 74VHC4040), BICK and FCK clocks are generated by the divider. Then "MCKO bit" in the AK4633VN should be set to "1". When an external clock through a RCA connector (J8: EXT/BICK) is supplied, select EXT on JP21 (MCLK\_SEL) and short JP17 (XTE). JP23 (EXT1) and R26 should be properly selected in order to match the output impedance of the clock generator.



b) Set up jumper pins of BICK clock

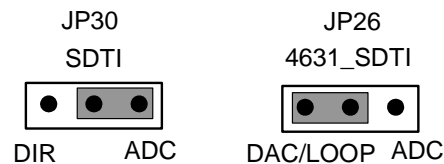


c) Set up jumper pins of FCK clock



d) Set up jumper pins of DATA

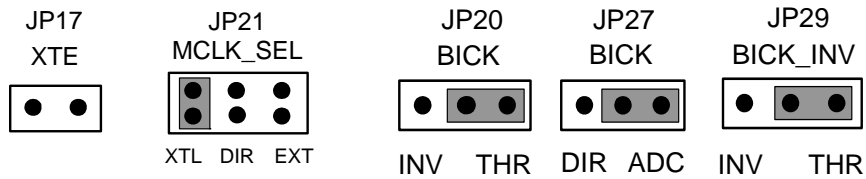
When the AK4633VN is evaluated by loop-back mode (A/D → D/A), the jumper pins should be set to the following.



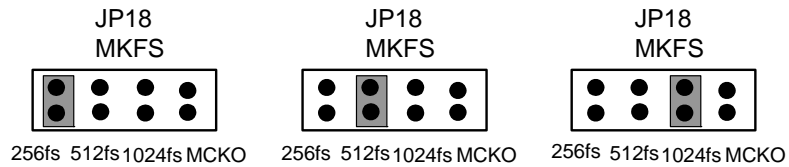
**(3) Evaluation of loop-back mode (A/D → D/A) : PLL, Slave Mode (PLL Reference CLOCK: BICK or FCK pin)**

a) Set up jumper pins of BICK clock

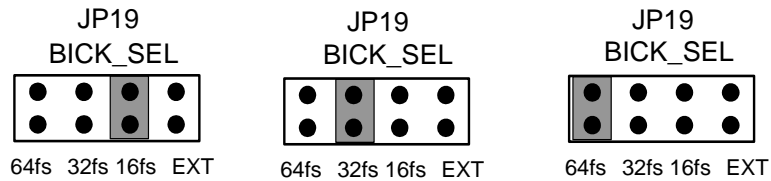
When an external clock through a RCA connector J8 (EXT/BICK) is supplied, select EXT on JP19 (MCLK\_SEL) and short JP17 (XTE). JP23 (EXT1) and R26 should be properly selected in order to match the output impedance of the clock generator.



In this evaluation mode, the selected clock from JP21 (MCLK\_SEL) is supplied to a divider (U3: 74VHC4040), BICK and FCK clocks are generated by the divider. Input frequency of master clock is set up in turn “256fs”, “512fs”, “1024fs” from left.

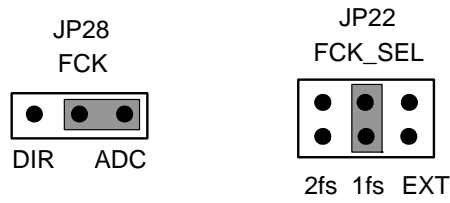


And input frequency of BICK is set up in turn “16fs”, “32fs”, “64fs” from left.



b) Set up jumper pins of FCK clock

When an external clock through a RCA connector J9 (FCK) is supplied, select EXT on JP22 (FCK\_SEL). JP24 (EXT2) and R27 should be properly selected in order to match the output impedance of the clock generator.



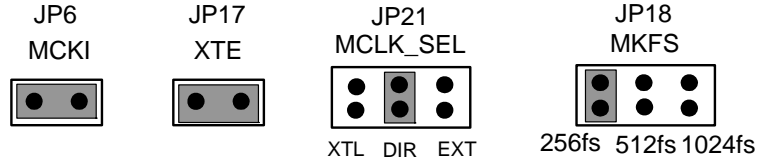
c) Set up jumper pins of DATA

When the AK4633VN is evaluated by loop-back mode (A/D → D/A), the jumper pins should be set to the following.

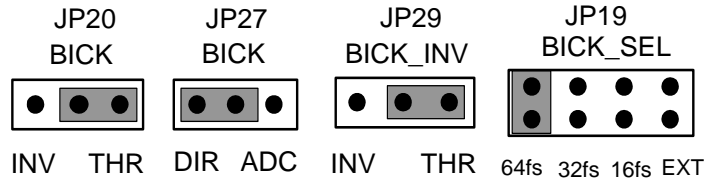


**(4) Evaluation of using DIR of AK4114 (opt-connector) : EXT, Slave Mode**

a) Set up jumper pins of MCKI clock

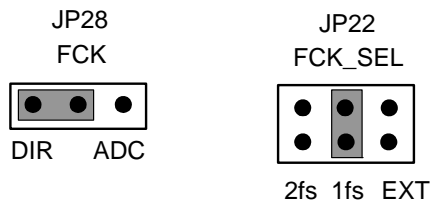


b) Set up jumper pins of BICK clock



c) Set up jumper pins of FCK clock

JP24 (EXT2) and R27 should be properly selected in order to match the output impedance of the clock generator.



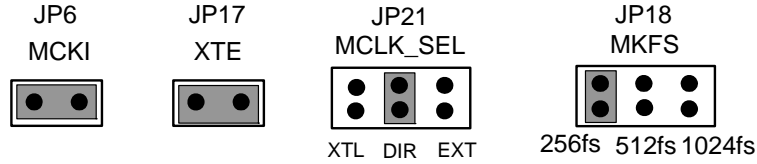
d) Set up jumper pins of DATA

When D/A converter of the AK4633VN is evaluated by using DIR of AK4114, the jumper pins should be set to the following.

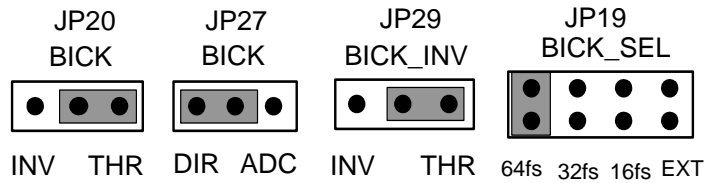


**(5) Evaluation of using DIT of AK4114 (opt-connector) : EXT, Slave Mode**

a) Set up jumper pins of MCKI clock

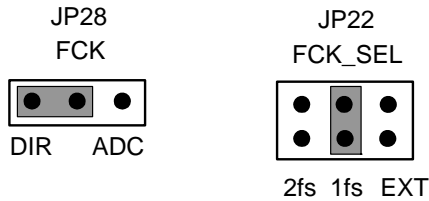


b) Set up jumper pins of BICK clock



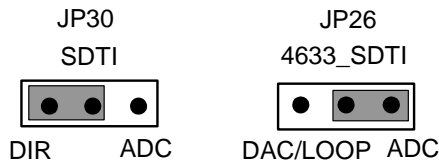
c) Set up jumper pins of FCK clock

JP24 (EXT2) and R27 should be properly selected in order to match the output impedance of the clock generator.



d) Set up jumper pins of DATA

When A/D converter of the AK4633VN is evaluated by using DIR of AK4114, the jumper pins should be set to the following.



## ■ DIP Switch set up

[SW3] (MODE) : Mode Setting of AK4633-VN and AK4114  
ON is “H”, OFF is “L”.

No.	Name	ON (“H”)	OFF (“L”)
1	DIF0	AK4114 Audio Format Setting See Table 2	
2	DIF1		
3	DIF2		
4	CM0	Clock Operation Mode select See Table 3	
5	CM1		
6	OCKS0	Master Clock Frequency Select See Table 4	
7	OCKS1		
8	M/S	Master mode	Slave mode

Note. When the AK4633VN is evaluated Master mode, “No.8 of SW3” is set to “H”.

Table 1. Mode Setting for AK4633VN and AK4114

Resistor setting for AK4633VN Audio Interface Format		Setting for AK4114 Audio Interface Format				
DIF1 bit	DIF0 bit	DIF0	DIF1	DIF2	DAUX	SDTO
0	1	L	L	L	24bit, Left justified	16bit, Right justified
1	0	L	L	H	24bit, Left justified	24bit, Left justified
1	1	H	L	H	24bit, I <sup>2</sup> S	24bit, I <sup>2</sup> S

Default

Note. When the AK4633VN is evaluated by using DIR/DIT of AK4114, “No.8 of SW3” is set to “L”.

Table 2. Setting for AK4114 Audio Interface Format

Mode	CM1	CM0	UNLOCK	PLL	X'tal	Clock source	SDTO
0	0	0	-	ON	ON(Note)	PLL	RX
1	0	1	-	OFF	ON	X'tal	DAUX
2	1	0	0	ON	ON	PLL	RX
			1	ON	ON	X'tal	DAUX
3	1	1	-	ON	ON	X'tal	DAUX

Default

ON: Oscillation (Power-up), OFF: STOP (Power-down)

Note : When the X'tal is not used as clock comparison for fs detection (i.e. XTL1,0= “1,1”), the X'tal is off.  
Default setting is recommended.

Table 3. Clock Operation Mode select

No.	OCKS1	MCKO1	MCKO2	X'tal
0	0	256fs	256fs	256fs
2	1	512fs	256fs	512fs

Default

Table 4. Master Clock Frequency Select (Stereo mode)

### ■ Other jumper pins set up

1. JP1 (GND) : Analog ground and Digital ground  
     OPEN : Separated.  
     SHORT : Common. (The connector "DGND" can be open.) <Default>
2. JP2 (MICP) : Connection between MICP pin and BEEP pin of the AK4633VN.  
     MICP : MIC Differential input.  
     BEEP : BEEP input. <Default>
3. JP3 (AVDD\_SEL) : AVDD of the AK4633VN  
     REG : AVDD is supplied from the regulator ("AVDD" jack should be open). < Default >  
     AVDD : AVDD is supplied from "AVDD" jack.
4. JP9 (DVDD\_SEL) : DVDD of the AK4633VN  
     AVDD : DVDD is supplied from "AVDD". < Default >  
     DVDD : DVDD is supplied from "DVDD" jack.
5. JP10 (LVC\_SEL) : Logic block of LVC is selected supply line.  
     DVDD : Logic block of LVC is supplied from "DVDD". < Default >  
     VCC : Logic block of LVC is supplied from "VCC" jack.
6. JP11 (VCC\_SEL) : Logic block is selected supply line.  
     LVC : Logic is supplied from supply line of LVC. < Default >  
     VCC : Logic block of LVC is supplied from "VCC" jack.
7. JP4 (SVDD\_SEL) : SVDD of the AK4633VN  
     REG : SVDD is supplied from the regulator ("SVDD" jack should be open). < Default >  
     SVDD : SVDD is supplied from "SVDD" jack.
8. JP8 (MCKO\_SEL) : Master Clock Frequency is selected clock from MCKO1 or MCKO2 of the AK4114.  
     MCKO1 : The clock from MCKO1 of AK4114 is provided to MCKI of the AK4633VN. < Default >  
     MCKO2 : The clock from MCKO2 of AK4114 is provided to MCKI of the AK4633VN.

■ **The function of the toggle SW**

[SW1] (DIR) : Power control of AK4114. Keep “H” during normal operation.  
 Keep “L” when AK4114 is not used.

[SW2] (PDN) : Power control of AK4633VN. Keep “H” during normal operation.

■ **Indication for LED**

[LED1] (ERF): Monitor INT0 pin of the AK4114. LED turns on when some error has occurred to AK4114.

■ **Serial Control**

The AK4633VN can be controlled via the printer port (parallel port) of IBM-AT compatible PC. Connect PORT2 (CTRL) with PC by 10 wire flat cable packed with the AKD4633-A

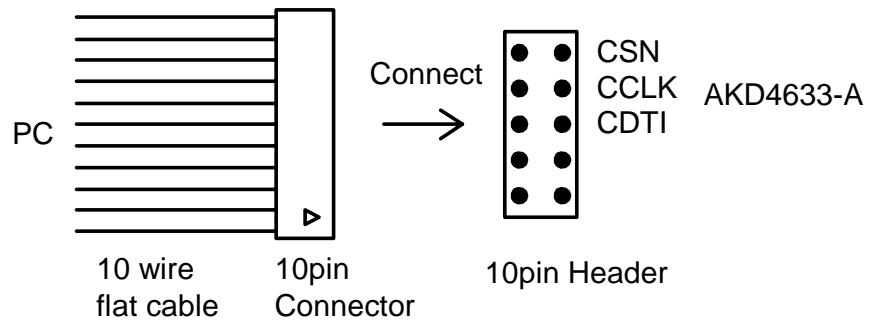


Figure 2. Connect of 10 wire flat cable

■ Analog Input / Output Circuits

(1) Input Circuits

a) MIC Input Circuit

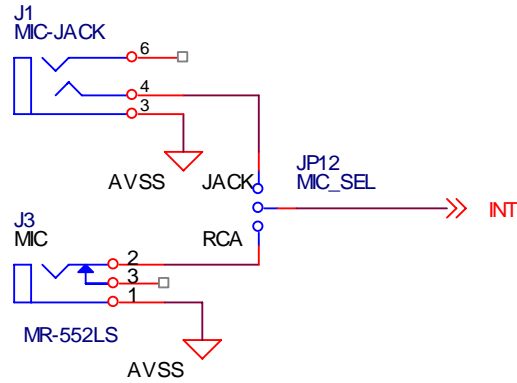
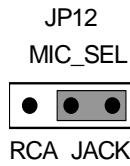
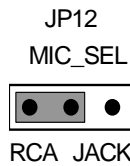


Figure 3. MIC Input Circuit

(a-1) Analog signal is input to MIC pin via J1 connector.



(a-2) Analog signal is input to MIC pin via J3 connector.



b) BEEP Input Circuit

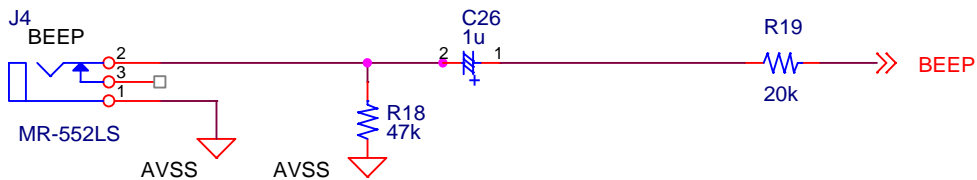


Figure 4. BEEP Input Circuit

(2) Output Circuits

a) AOUT Output Circuit

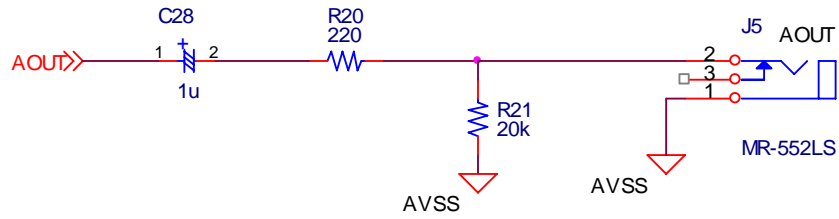


Figure 5. AOUT Output Circuit

b) SPK Output Circuit

Note. When mini-jack is inserted or pulled out J2 (SPK-JACK) connector, JP13 (SPP\_SEL) and JP14 (SPN\_SEL) should be open, or “PMSPK bit” in the AK4633VN should be set to “0”.

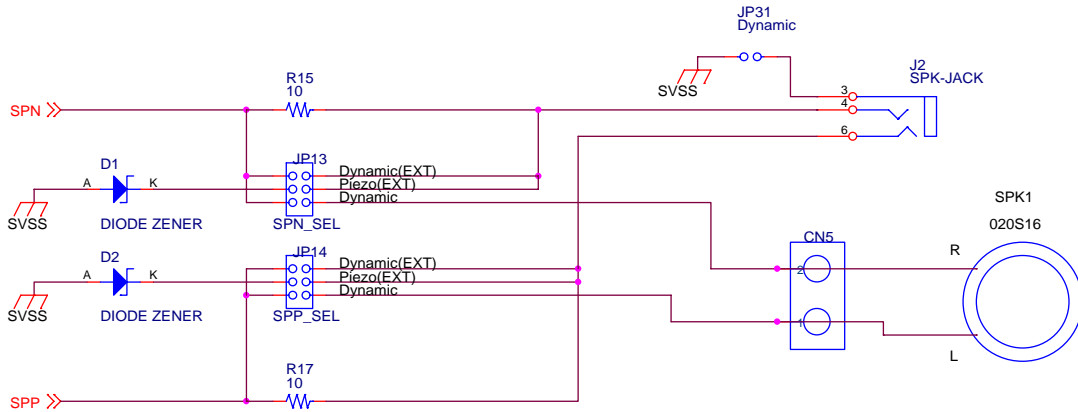
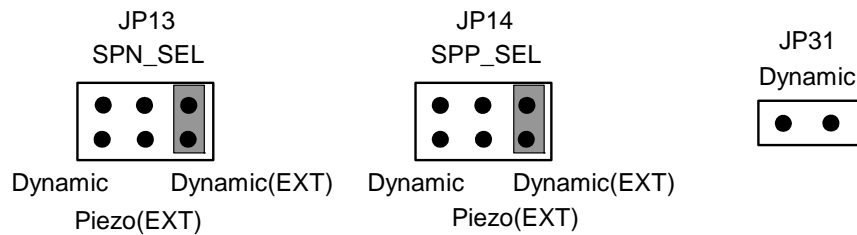
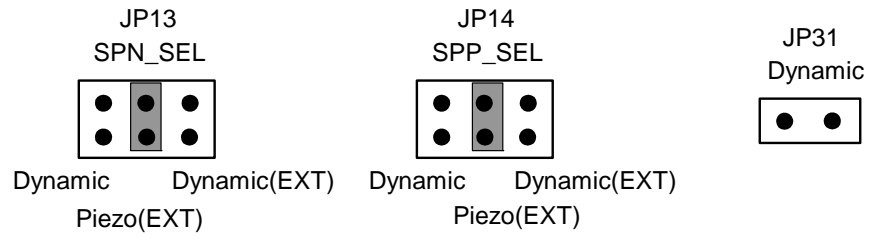


Figure 6. SPK Output Circuit

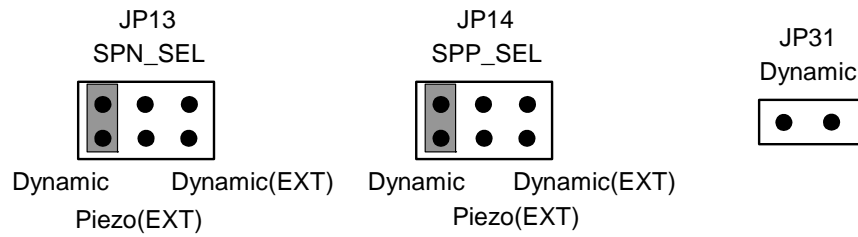
(b-1) An external dynamic speaker is evaluated by using J2 (SPK-JACK) connector.



(b-2) An external Piezo speaker is evaluated by using J2 (SPK-JACK) connector.



(b-3) Analog signal of SPP/SPN pins are output from “Dynamic Speaker” on the evaluation (SPK1).



\* AKM assumes no responsibility for the trouble when using the above circuit examples.

## 2. Control Software Manual

### ■ Set-up of evaluation board and control software

1. Set up the AKD4633-A according to previous term.
2. Connect IBM-AT compatible PC with AKD4633-A by 10-line type flat cable (packed with AKD4633-A). Take care of the direction of 10pin header. (Please install the driver in the CD-ROM when this control software is used on Windows 2000/XP. Please refer “Installation Manual of Control Software Driver by AKM device control software”. In case of Windows95/98/ME, this installation is not needed. This control software does not operate on Windows NT.)
3. Insert the CD-ROM labeled “AK4633VN Evaluation Kit” into the CD-ROM drive.
4. Access the CD-ROM drive and double-click the icon of “akd4633.exe” to set up the control program.
5. Then please evaluate according to the follows.

### ■ Operation flow

Keep the following flow.

1. Set up the control program according to explanation above.
2. Click “Port Reset” button.

### ■ Explanation of each buttons

1. [Port Reset] : Set up the USB interface board (AKDUSBIF-A) .
2. [Write default] : Initialize the register of AK4633VN.
3. [All Write] : Write all registers that is currently displayed.
4. [Function1] : Dialog to write data by keyboard operation.
5. [Function2] : Dialog to write data by keyboard operation.
6. [Function3] : The sequence of register setting can be set and executed.
7. [Function4] : The sequence that is created on [Function3] can be assigned to buttons and executed.
8. [Function5]: The register setting that is created by [SAVE] function on main window can be assigned to buttons and executed.
9. [SAVE] : Save the current register setting.
10. [OPEN] : Write the saved values to all register.
11. [Write] : Dialog to write data by mouse operation.

### ■ Indication of data

Input data is indicated on the register map. Red letter indicates “H” or “1” and blue one indicates “L” or “0”. Blank is the part that is not defined in the datasheet.

## ■ Explanation of each dialog

### 1. [Write Dialog]: Dialog to write data by mouse operation

There are dialogs corresponding to each register.

Click the [Write] button corresponding to each register to set up the dialog. If you check the check box, data becomes "H" or "1". If not, "L" or "0".

If you want to write the input data to AK4633VN, click [OK] button. If not, click [Cancel] button.

### 2. [Function1 Dialog] : Dialog to write data by keyboard operation

Address Box: Input registers address in 2 figures of hexadecimal.

Data Box: Input registers data in 2 figures of hexadecimal.

If you want to write the input data to AK4633VN, click [OK] button. If not, click [Cancel] button.

### 3. [Function2 Dialog] : Dialog to evaluate IVOL and DVOL

Address Box: Input registers address in 2 figures of hexadecimal.

Start Data Box: Input starts data in 2 figures of hexadecimal.

End Data Box: Input end data in 2 figures of hexadecimal.

Interval Box: Data is written to AK4633VN by this interval.

Step Box: Data changes by this step.

Mode Select Box:

If you check this check box, data reaches end data, and returns to start data.

[Example] Start Data = 00, End Data = 09

Data flow: 00 01 02 03 04 05 06 07 08 09 09 08 07 06 05 04 03 02 01 00

If you do not check this check box, data reaches end data, but does not return to start data.

[Example] Start Data = 00, End Data = 09

Data flow: 00 01 02 03 04 05 06 07 08 09

If you want to write the input data to AK4633VN, click [OK] button. If not, click [Cancel] button.

#### 4. [Save] and [Open]

##### 4-1. [Save]

Save the current register setting data. The extension of file name is “akr”.

(Operation flow)

- (1) Click [Save] Button.
- (2) Set the file name and push [Save] Button. The extension of file name is “akr”.

##### 4-2. [Open]

The register setting data saved by [Save] is written to AK4633VN. The file type is the same as [Save].

(Operation flow)

- (1) Click [Open] Button.
- (2) Select the file (\*.akr) and Click [Open] Button.

**5. [Function3 Dialog]**

The sequence of register setting can be set and executed.

(1) Click [F3] Button.

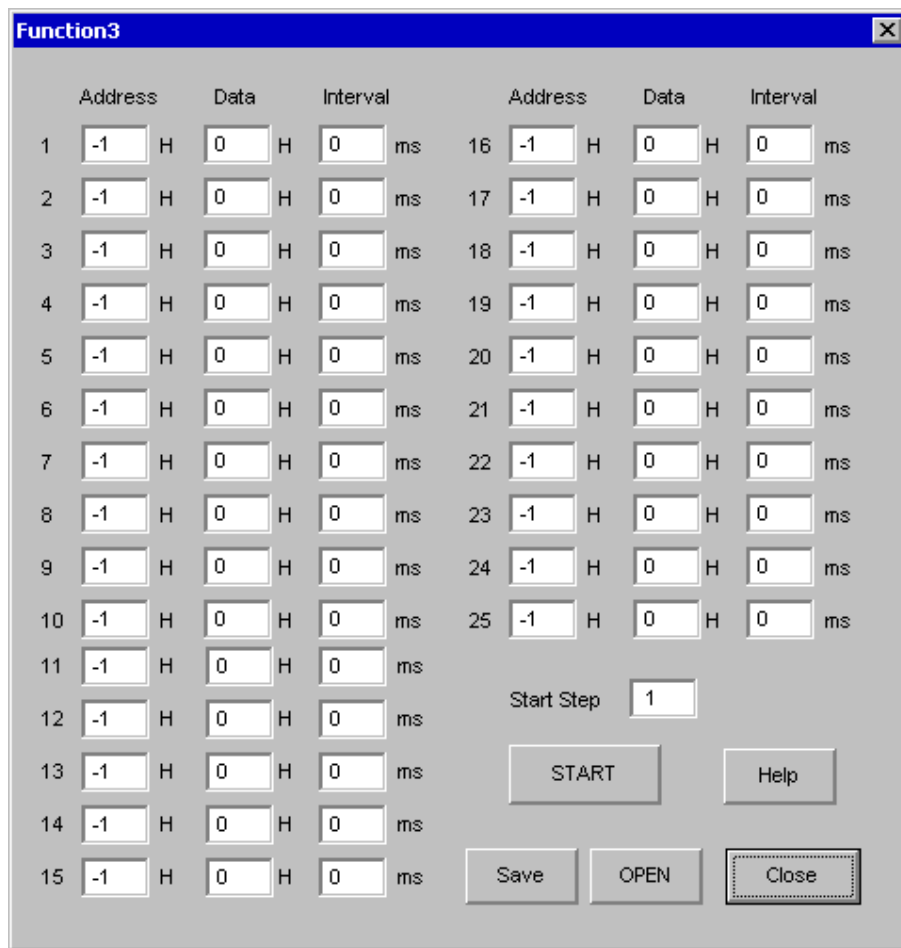
(2) Set the control sequence.

Set the address, Data and Interval time. Set “-1” to the address of the step where the sequence should be paused.

(3) Click [Start] button. Then this sequence is executed.

The sequence is paused at the step of Interval="-1". Click [START] button, the sequence restarts from the paused step.

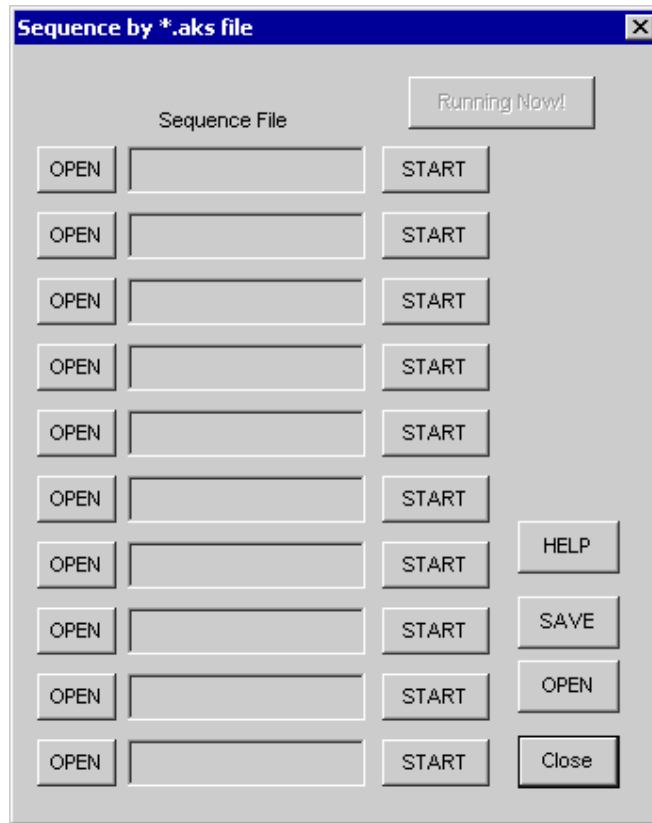
This sequence can be saved and opened by [Save] and [Open] button on the Function3 window. The extension of file name is “aks”.



**Figure 1. Window of [F3]**

**6. [Function4 Dialog]**

The sequence that is created on [Function3] can be assigned to buttons and executed. When [F4] button is clicked, the window as shown in Figure 2 opens.



**Figure 2. [F4] window**

## 6-1. [OPEN] buttons on left side and [START] buttons

(1) Click [OPEN] button and select the sequence file (\*.aks).

The sequence file name is displayed as shown in Figure 3.

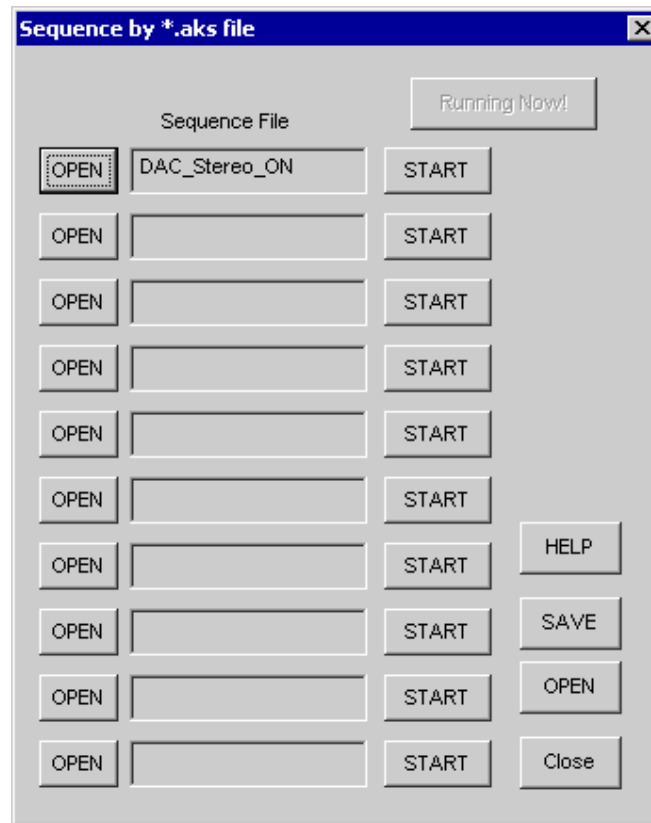


Figure 3. [F4] window(2)

(2) Click [START] button, then the sequence is executed.

## 3-2. [SAVE] and [OPEN] buttons on right side

[SAVE] : The sequence file names can assign be saved. The file name is \*.ak4.

[OPEN] : The sequence file names assign that are saved in \*.ak4 are loaded.

## 3-3. Note

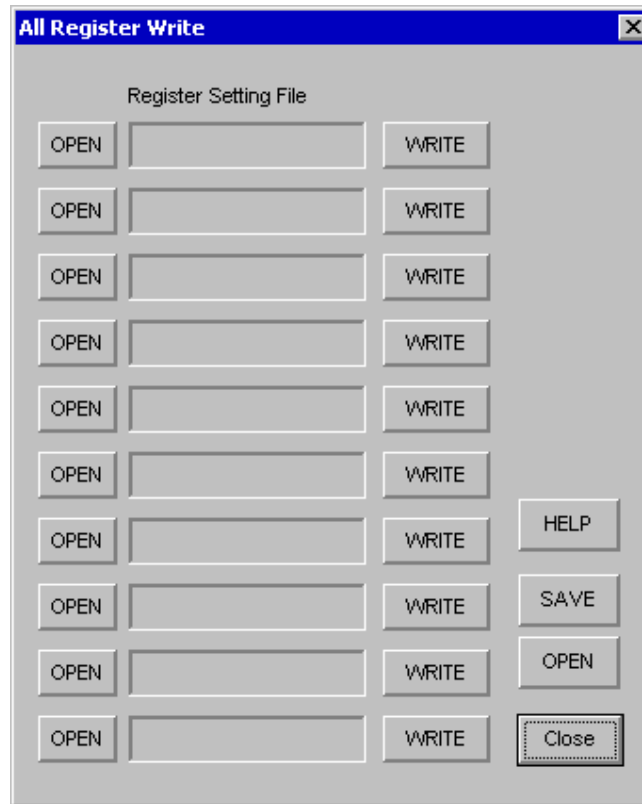
(1) This function doesn't support the pause function of sequence function.

(2) All files need to be in same folder used by [SAVE] and [OPEN] function on right side.

(3) When the sequence is changed in [Function3], the file should be loaded again in order to reflect the change.

## 7. [Function5 Dialog]

The register setting that is created by [SAVE] function on main window can be assigned to buttons and executed. When [F5] button is clicked, the following window as shown in Figure 4 opens.



**Figure 4. [F5] window**

7-1. [OPEN] buttons on left side and [WRITE] button

(1) Click [OPEN] button and select the register setting file (\*.akr).

The register setting file name is displayed as shown in Figure 5.

(2) Click [WRITE] button, then the register setting is executed.

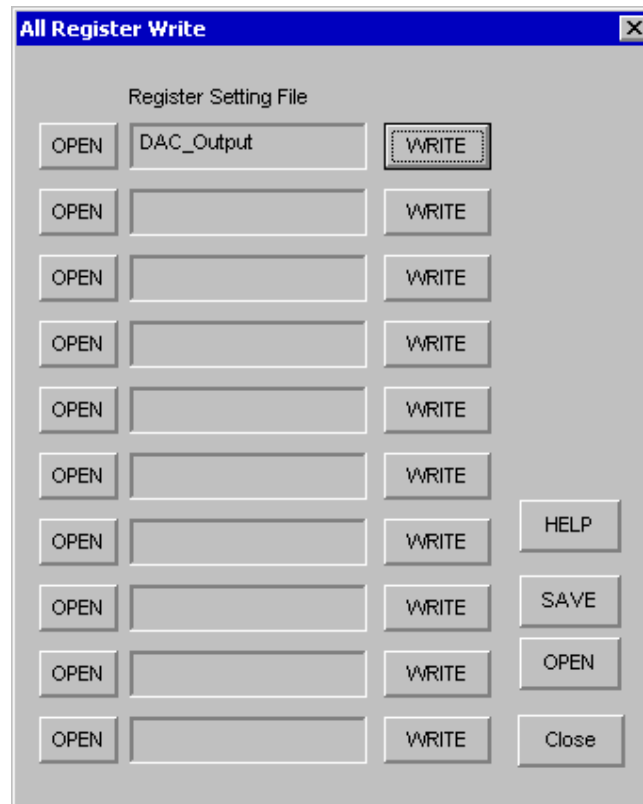


Figure 5. [F5] windows(2)

#### 7-2. [SAVE] and [OPEN] buttons on right side

[SAVE] : The register setting file names assign can be saved. The file name is \*.ak5.

[OPEN] : The register setting file names assign that are saved in \*.ak5 are loaded.

#### 7-3. Note

- (1) All files need to be in same folder used by [SAVE] and [OPEN] function on right side.
- (2) When the register setting is changed by [Save] Button in main window, the file should be loaded again in order to reflect the change.

### 8. [Filter Dialog]

It is possible to calculate the coefficients of HPF and EQ filters, write these coefficients to registers and confirm the frequency response of these filters. Click [Filter] button, then the window as shown in Figure 6 opens.

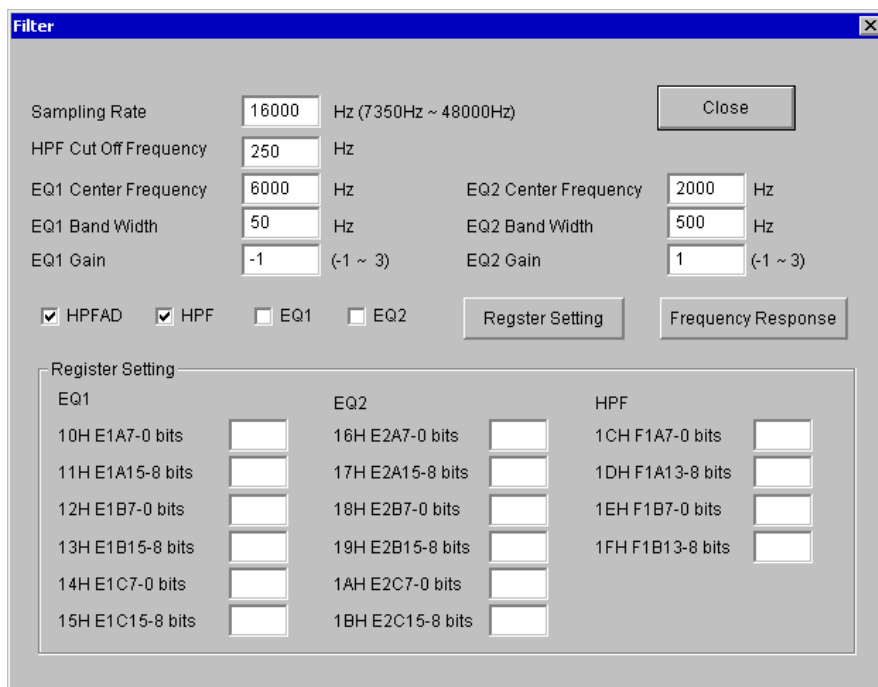


Figure 6. [Filter] Window

#### (1) Setup the Parameters

Set up the parameters of HPF and EQ filters.

Parameter	Contents	Setup range
Sampling Rate	Sampling Frequency (fs)	$48000\text{Hz} \geq fs \geq 7350\text{Hz}$
HPF Cut Off Frequency	High Pass Filter Cut Off Frequency	$(fs/2 - 1) \geq fc > fs/10000$
EQ1 Center Frequency	EQ1 Center Frequency	$fs/2 \geq EQ1 > 0\text{Hz}$
EQ1 Band Width	EQ1 Band Width (Note 1)	$fs/2 \geq EQ1 > 1\text{Hz}$
EQ1 Gain	EQ1 Gain (Note 2)	$3 > EQ1 \geq -1$
EQ2 Center Frequency	EQ2 Center Frequency	$fs/2 \geq EQ2 > 0\text{Hz}$
EQ2 Band Width	EQ2 Band Width (Note 1)	$fs/2 \geq EQ2 > 1\text{Hz}$
EQ2 Gain	EQ2 Gain (Note 2)	$3 > EQ2 \geq -1$

Note 1. Band width of 3dB gain difference from center frequency

Note 2. This filter is notch filter when this gain is -1.

#### (2) Filter ON/OFF

Set up the ON or OFF of filters by the check button of "HPFAD", "HPF", "EQ1" and "EQ2". The filter is ON when the button is checked.



Figure 7. Filter ON/OFF check button

(3) Calculation of Register Setting

When [Register Setting] is clicked, the register setting of filters are displayed in "Register Setting" area. At the same this, these setting are written to HPFAD bit, HPF bit, EQ1 bit, EQ2 bit and 10H-1FH registers. If the parameter is out of range, then the error message is displayed and these writing to register aren't executed.

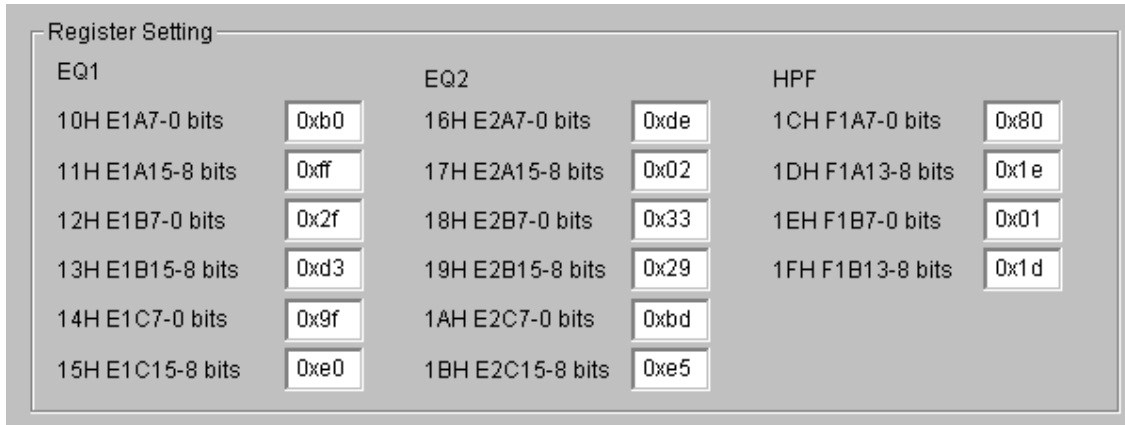


Figure 8. Calculation result to register parameters

(4) Frequency Response

When [Register Setting] is clicked, the frequency response is displayed. At the same this, these setting are written to HPFAD bit, HPF bit, EQ1 bit, EQ2 bit and 10H-1FH registers. If [UpDate] button is clicked after setting the frequency range, the display of frequency response is updated.

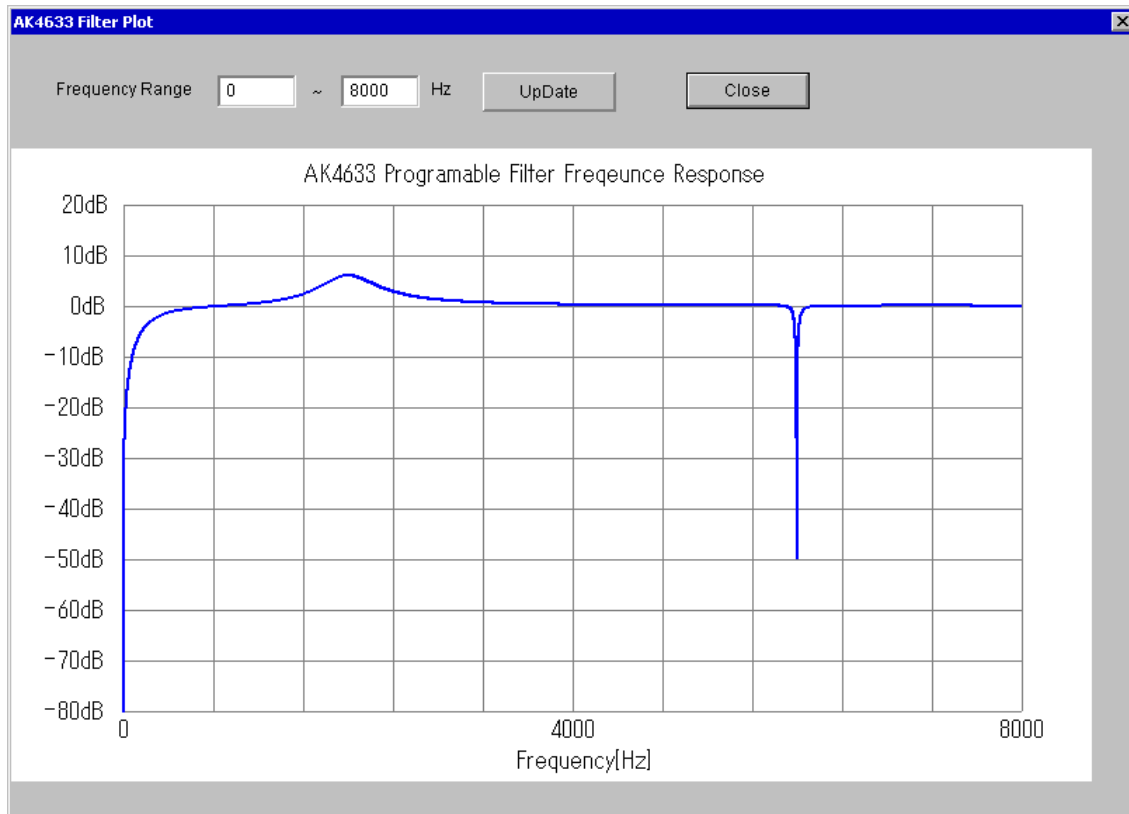
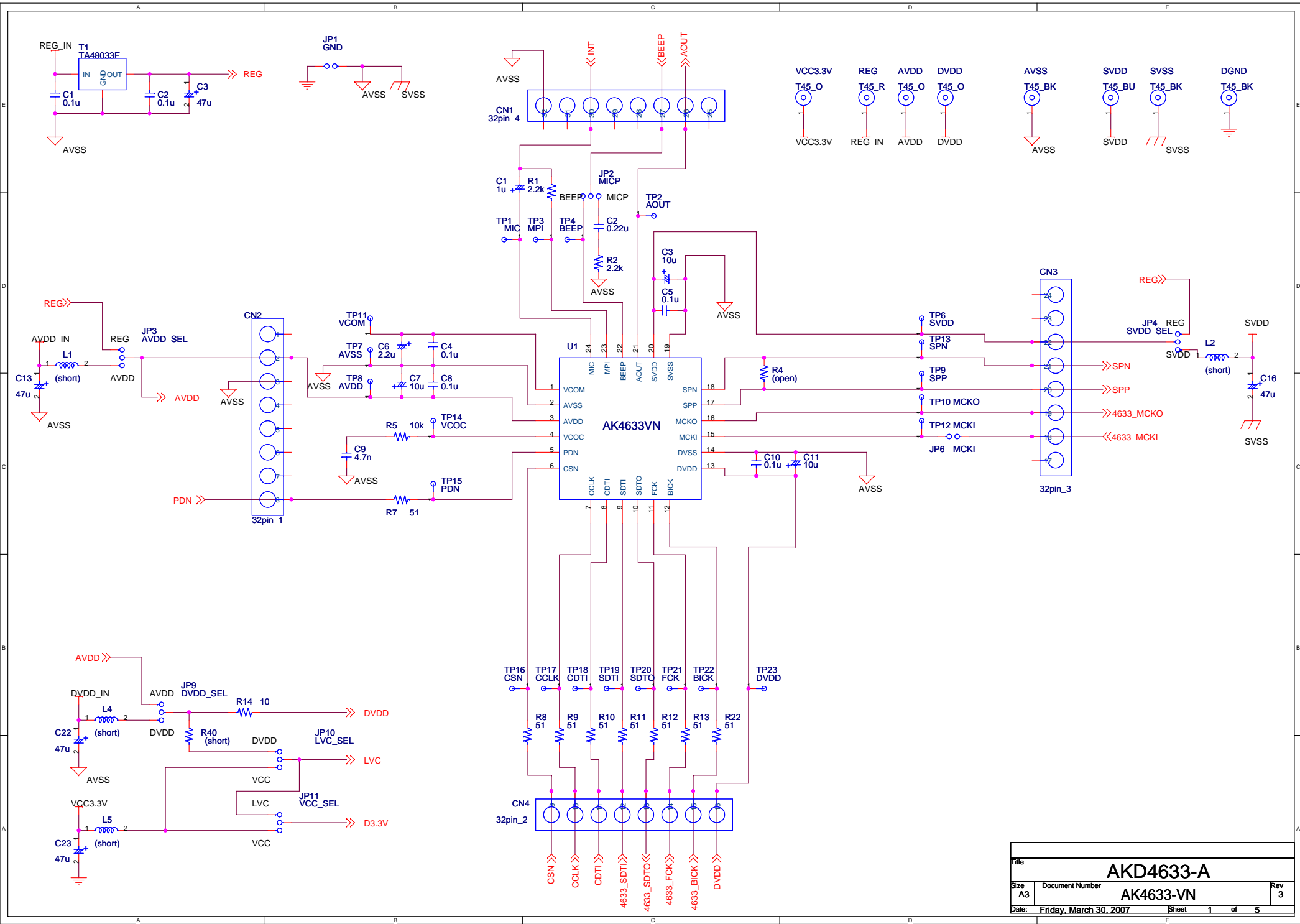


Figure 9. Frequency characteristic indicates result

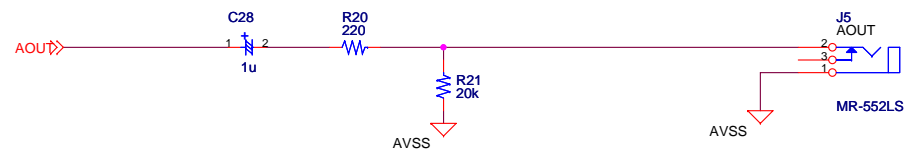
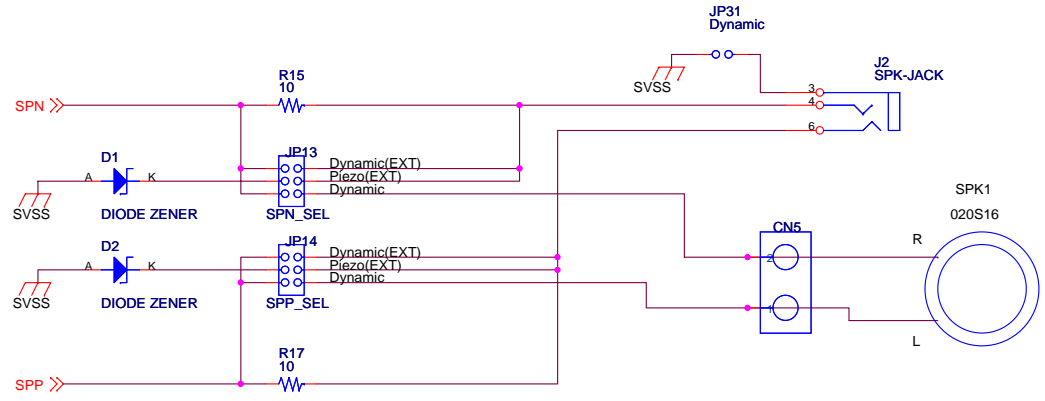
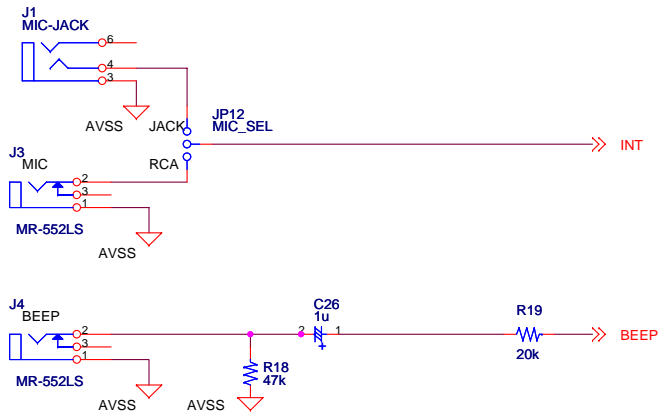
Revision History				
Date	Manual Revision	Board Revision	Reason	Contents
05/07/14	KM079400	0	First Edition	
05/08/23	KM079401	1	Update	Change of a figure & circuit
05/09/16	KM079402	1	Error Correct	Port Numbers are corrected in circuit.
05/10/21	KM079403	2	Update	Device revision of AK4633 is changed to "Rev.B".
06/04/14	KM079404	2	Update	Part change in LOGIC circuit diagram. U9: 74LVC541→74HC541
07/02/15	KM079405	3	Error Correct	Port number was corrected in both silkscreen printing and circuit diagram. JP1(MICP) → JP2 (MICP)
07/04/02	KM079406	3	Error Correct	Port number was corrected in both silkscreen printing and circuit diagram. Silkscreen printing: JP2 (MCKI) → JP6 (MCKI) Circuit diagram: JP5 (MCKI) → JP6 (MCKI)

#### IMPORTANT NOTICE

- These products and their specifications are subject to change without notice. Before considering any use or application, consult the Asahi Kasei Microsystems Co., Ltd. (AKM) sales office or authorized distributor concerning their current status.
- AKM assumes no liability for infringement of any patent, intellectual property, or other right in the application or use of any information contained herein.
- Any export of these products, or devices or systems containing them, may require an export license or other official approval under the law and regulations of the country of export pertaining to customs and tariffs, currency exchange, or strategic materials.
- AKM products are neither intended nor authorized for use as critical components in any safety, life support, or other hazard related device or system, and AKM assumes no responsibility relating to any such use, except with the express written consent of the Representative Director of AKM. As used here:
  - (a) A hazard related device or system is one designed or intended for life support or maintenance of safety or for applications in medicine, aerospace, nuclear energy, or other fields, in which its failure to function or perform may reasonably be expected to result in loss of life or in significant injury or damage to person or property.
  - (b) A critical component is one whose failure to function or perform may reasonably be expected to result, whether directly or indirectly, in the loss of the safety or effectiveness of the device or system containing it, and which must therefore meet very high standards of performance and reliability.
- It is the responsibility of the buyer or distributor of an AKM product who distributes, disposes of, or otherwise places the product with a third party to notify that party in advance of the above content and conditions, and the buyer or distributor agrees to assume any and all responsibility and liability for and hold AKM harmless from any and all claims arising from the use of said product in the absence of such notification.

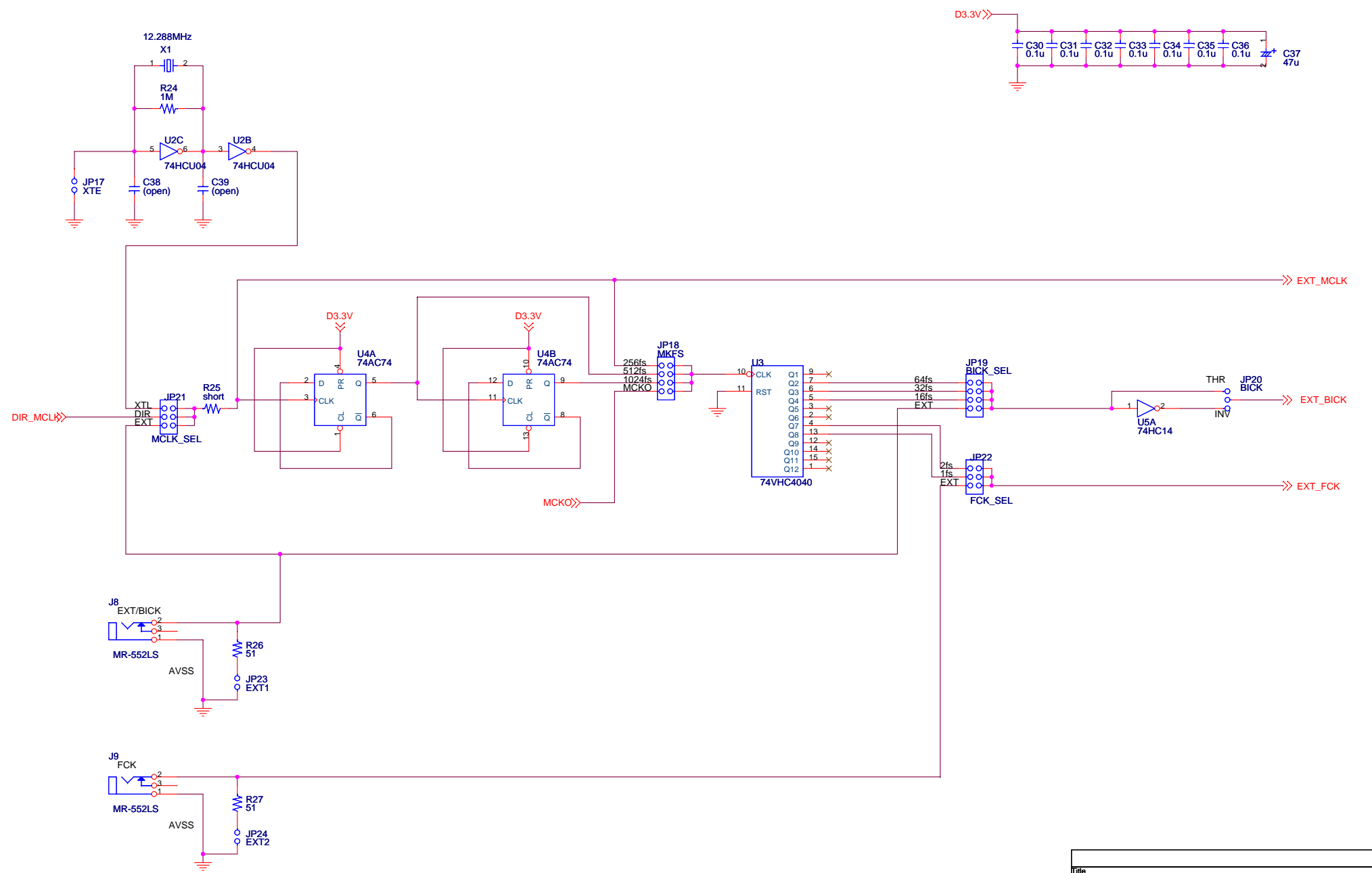


Title		
<b>AKD4633-A</b>		
Size	Document Number	Rev
A3	AK4633-VN	3
Date:	Friday, March 30, 2007	Sheet 1 of 5



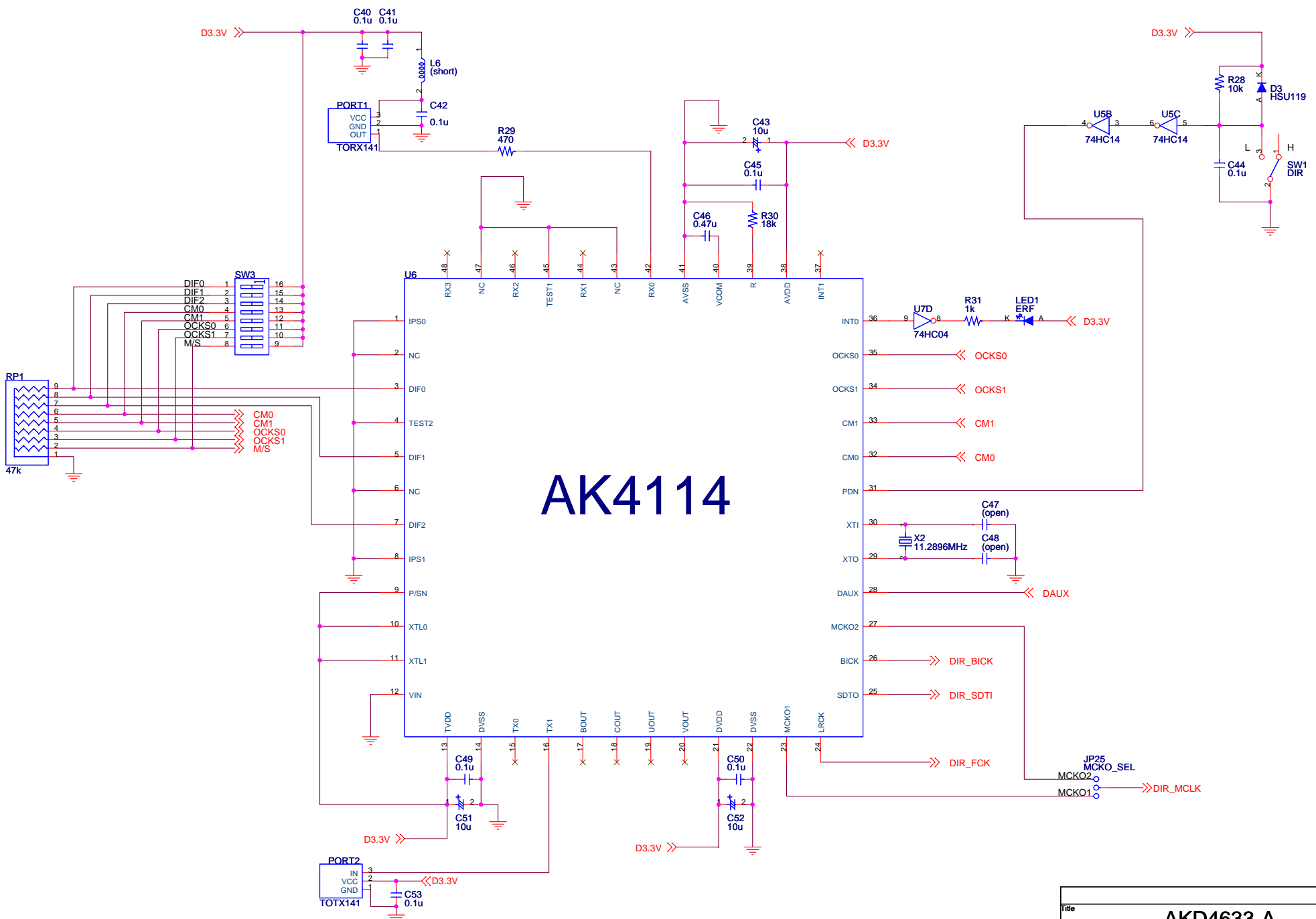
Title			
<b>AKD4633-A</b>			
Size	Document Number	Rev	
A3	Input/Output	3	
Date:	Thursday, February 15, 2007	Sheet	2 of 5

for  
74HCU04,74AC74,74VHC4040,74HC14,74HC14,74LVC541,74HCT04



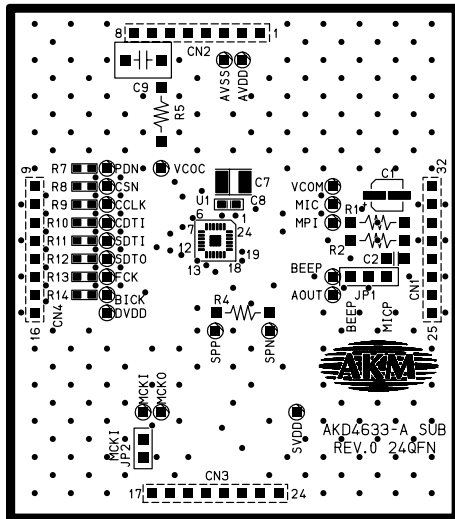
Title			AKD4633-A		
Size	Document Number	CLOCK			Rev
A3					3
Date: Thursday, February 15, 2007			Sheet	3	of 5

# AK4114



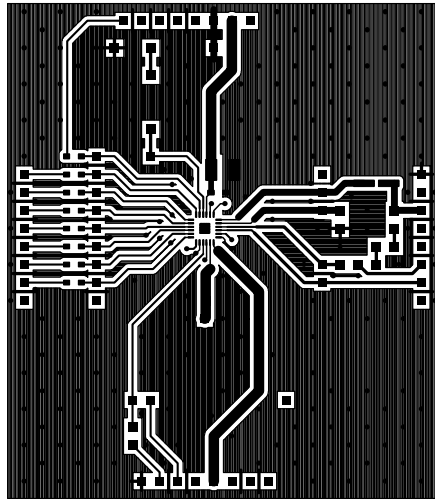
Title		AKD4633-A	
Size	Document Number	DIR/DIT	
A3			Rev 3
Date:		Thursday, February 15, 2007	
Sheet	4	of	5



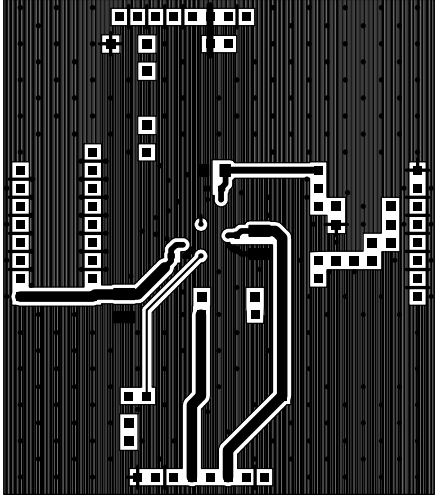


AKD4633-A SUB QFN L1 SILK

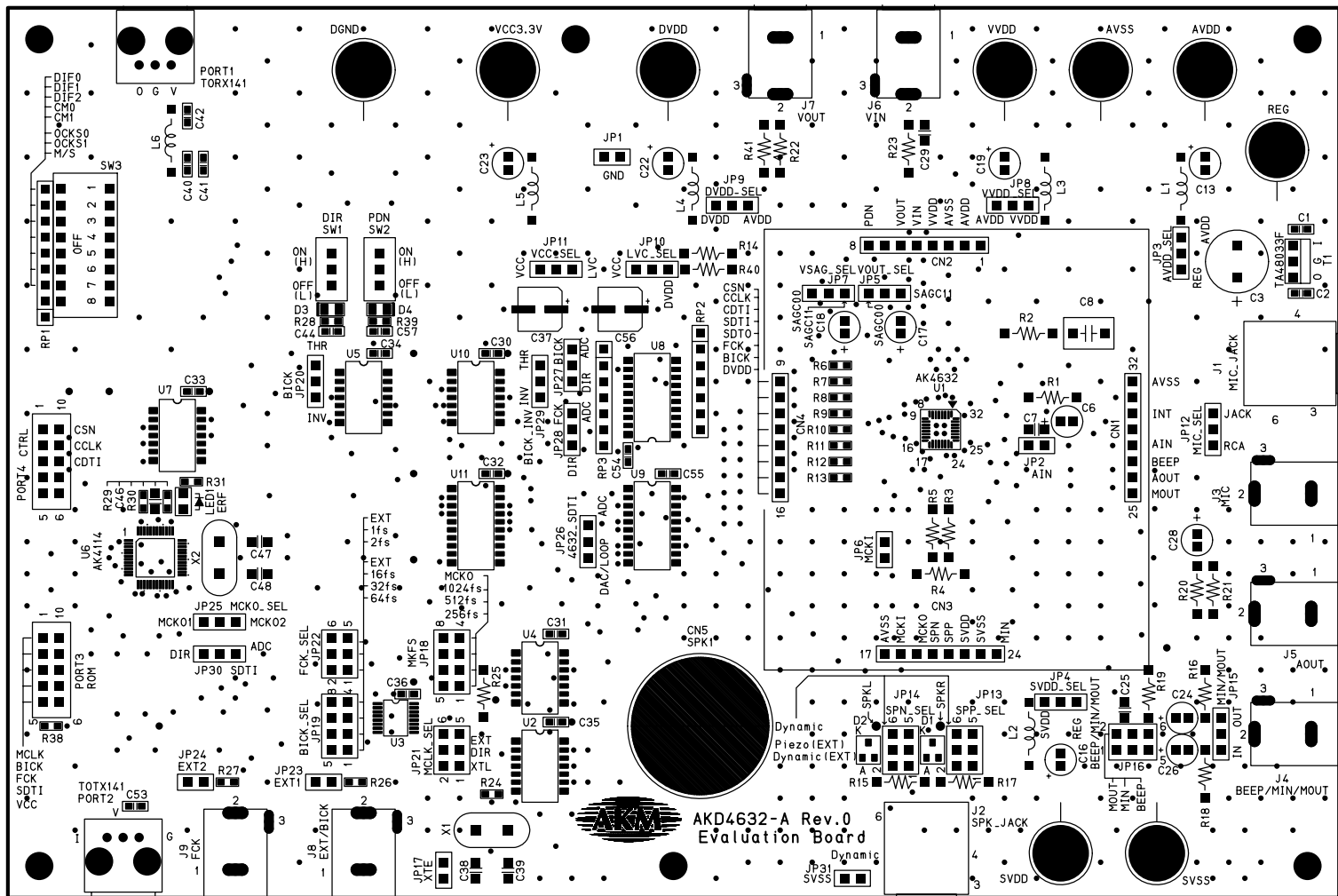




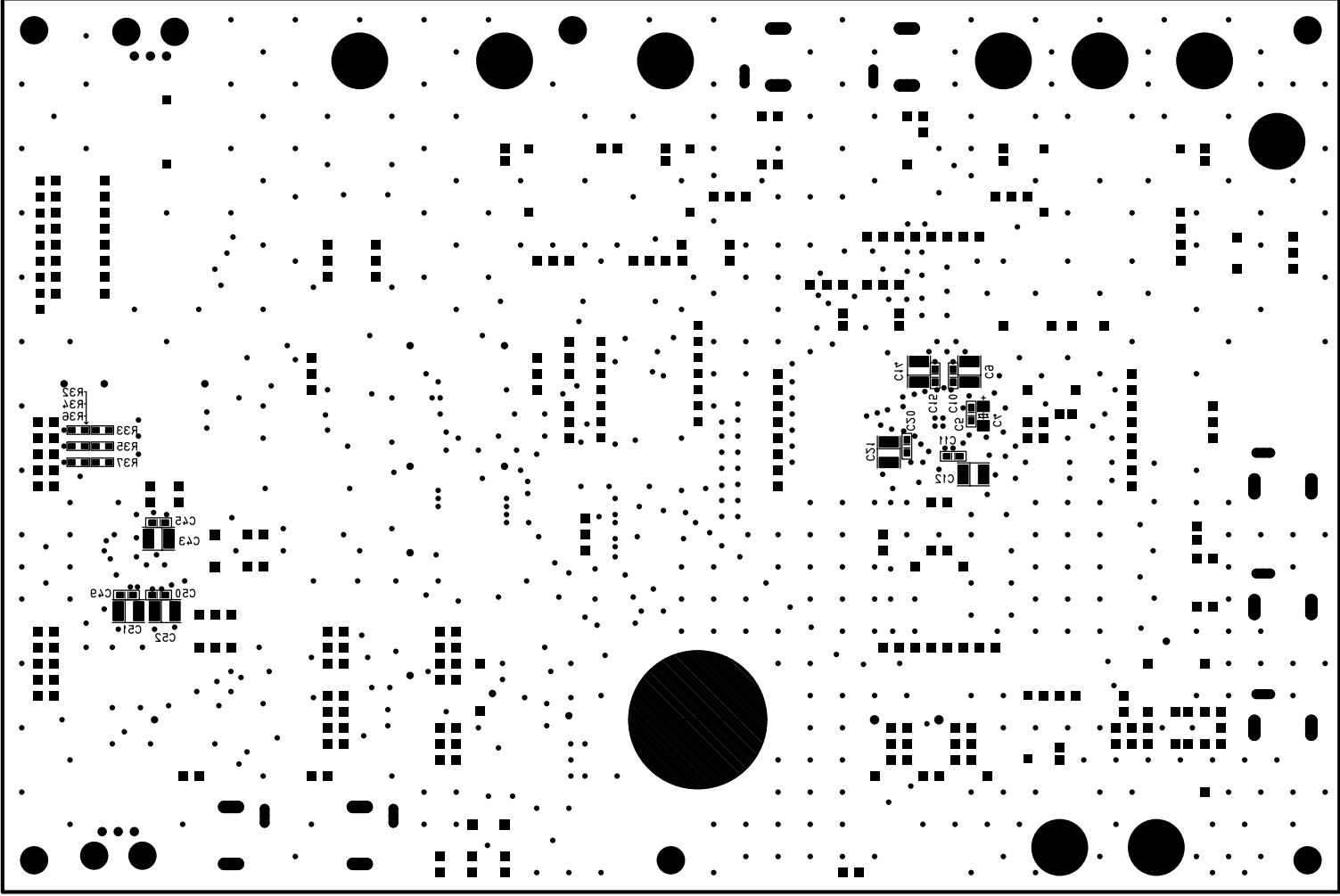
AKD4633-A SUB QFN L1



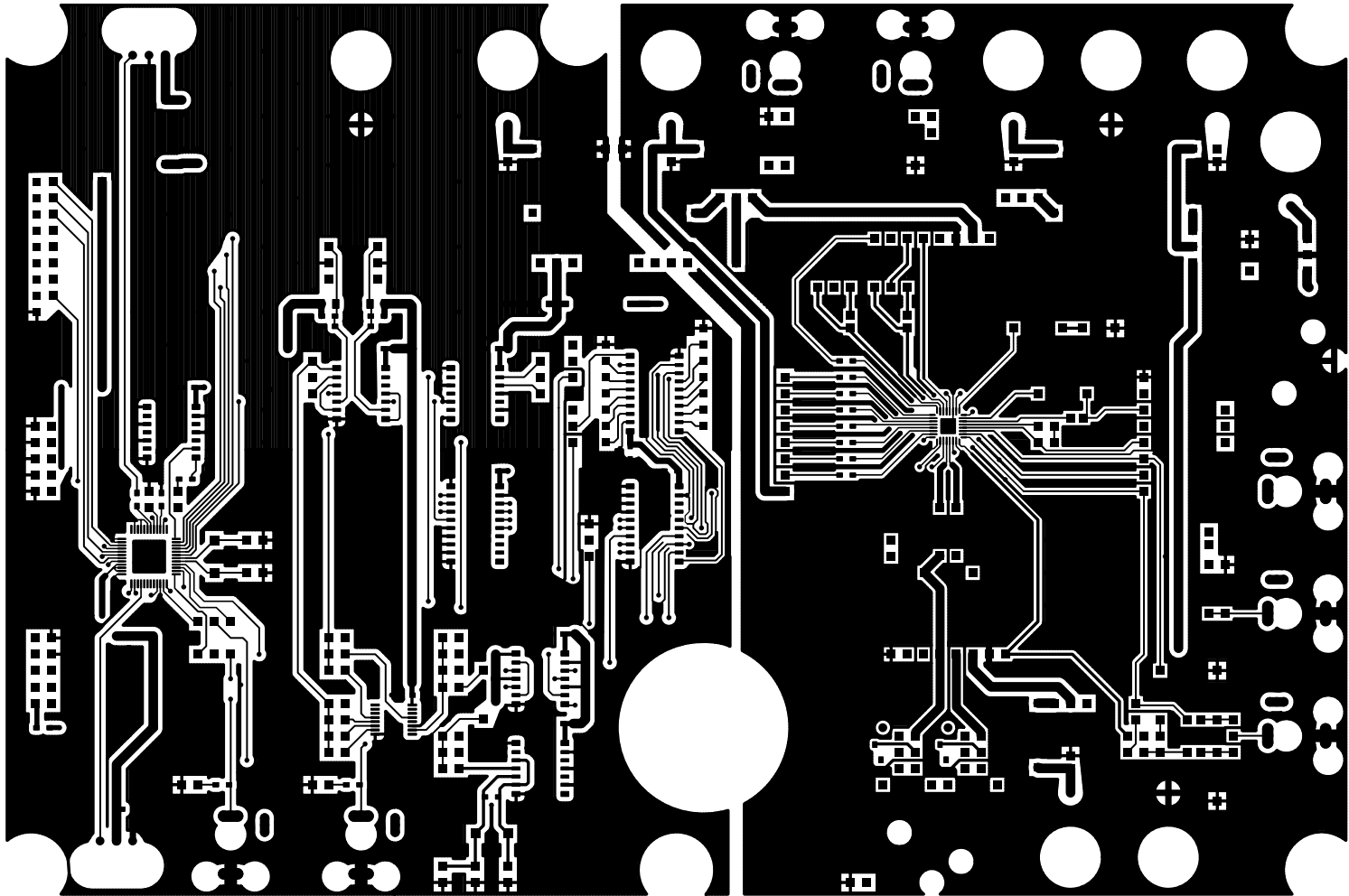
AKD633-A SUB QFN LS



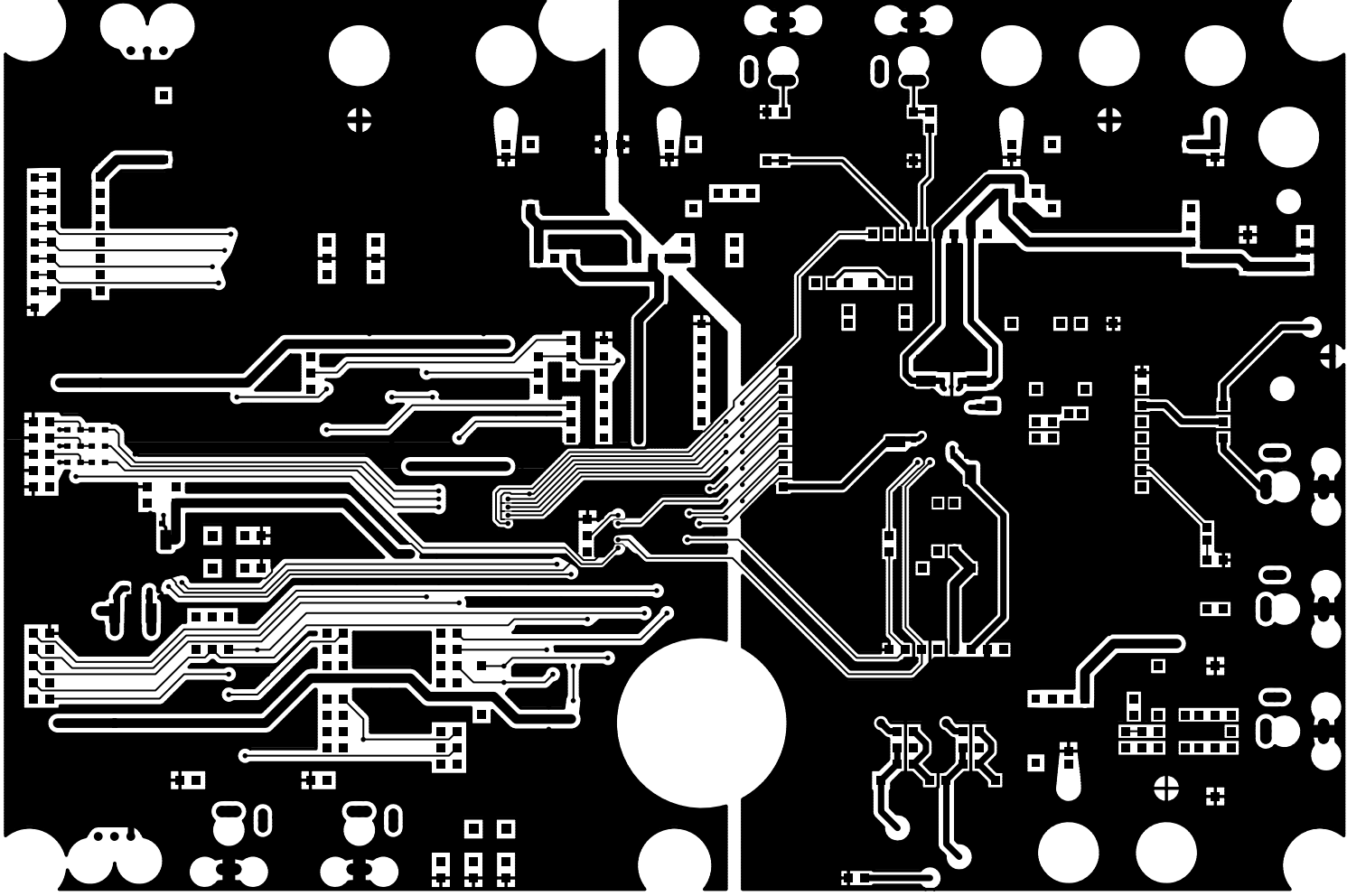
AKD4632-A L1 SILK



21K A-LS 93D4K



AKD4632-A L1



LJ A-588AKA