

AKD4709-A

AK4709 Evaluation Board Rev.2

GENERAL DESCRIPTION

AKD4709 is an evaluation board for quickly evaluating the AK4709, AV SCART switch. Evaluation requires audio/video analog analyzers/generators and a power supply.

■ Ordering guide

AKD4709-A --- AK4709 Evaluation Board
 (Cable for connecting with printer port of IBM-AT, compatible PC and control software are packed with this.)

FUNCTION

- RCA connectors for analog audio input/output
- XLR connectors for analog audio input
- RCA connectors for analog video input/output
- 10pin header for serial control interface

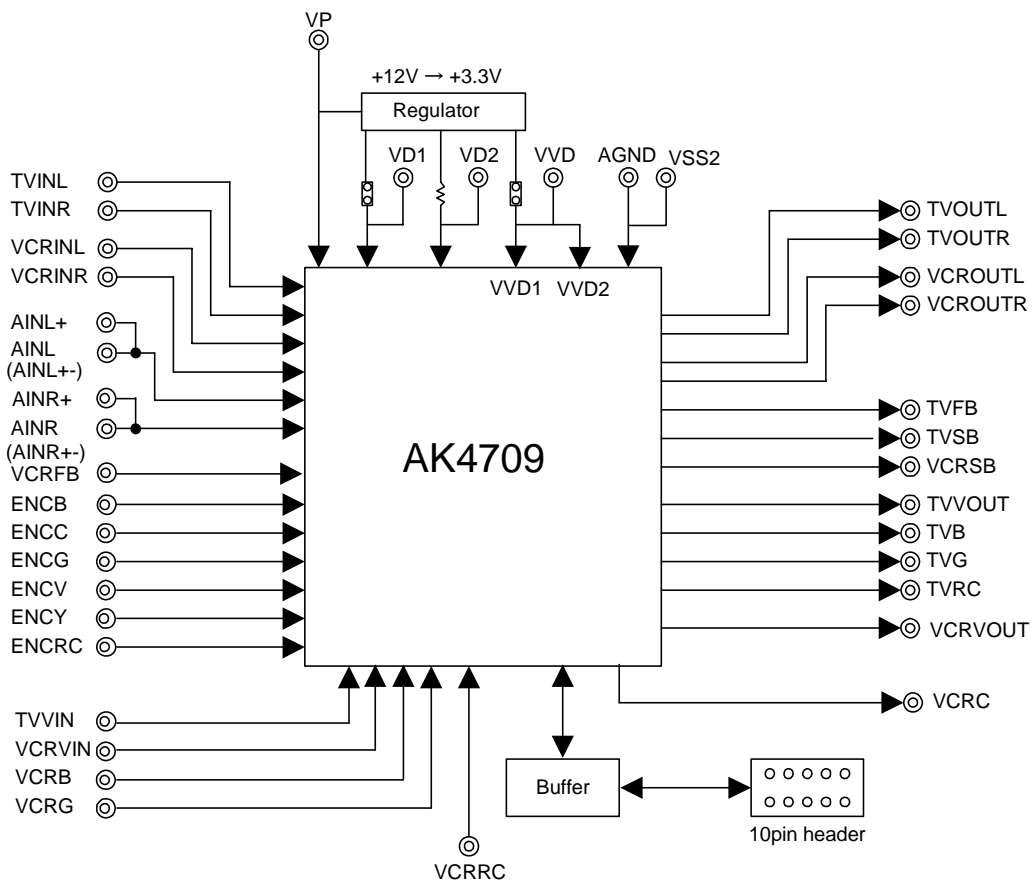


Figure 1. AKD4709 Block Diagram

* Circuit diagram and PCB layout are attached at the end of this manual.

EVALUATION BOARD MANUAL

■ Operation sequence

1) Set up the power supply lines.

Name of Jack	Color of Jack	Voltage	Used for	Comment and attention	Default of Jack
VP	Orange	+10.8~+13.2V	VP of AK4709	Should be always connected	+12V
VD1	Red	+3.13~+3.47	VD1 of AK4709	Should be connected when jp5 (VD1_SEL) is set to REG side. Should be open when JP5 (VD1_SEL) is set to VD1 side.	open
VD2	Red	+3.13~+3.47V	VD2 of AK4709	Should be connected when R 56(VD2_SEL) is set to REG side. Should be open when R56 (VD2_SEL) is set to VD2 side.	open
VVD	Red	+3.13~+3.47V	VVD1 of AK4709 VVD2 of AK4709	Should be connected when JP8 (VVD_SEL) is set to REG side. Should be open when JP8 (VVD_SEL) is set to VVD side.	open
VCC	Red	+3.13 ~ VVD1+0.3V	Power supply of logic	Should be connected when JP7 (VCC_SEL) is set to REG side. Should be open when JP7 (VCC_SEL) is set to VCC side.	open
AGND	Black	0V	Analog Ground	Should be always connected	0V
VSS2	Black	0V	Analog Ground	Should be always connected	0V
DGND	Black	0V	Digital Ground	Should be connected when JP4 (GND_SEL) is set to AGND side. Should be open when JP4 (GND_SEL) is set to DGND side.	open

Table 1. Power supply lines

Each supply line should be distributed from the power supply unit.

2) Set-up jumper pins. (See the followings.)

3) Power on.

The AK4709 should be reset once bringing SW1 “L” upon power-up.

■ Jumper pins set up

[JP1] (GND): AINL- pin input select

OPEN: J20 (AINL): 3pin <Default>

SHORT: GND (Not use)

[JP2] (GND): AINR- pin input select

OPEN: J29 (AINR): 3pin <Default>

SHORT: GND (Not use)

[JP3] (VCRRC): VCRRC pin input select

I: J30 (VCRRC) <Default>

I/O: J23 (VCRCOUT)

[JP4] (GND): Analog ground and Digital ground

OPEN: Separated

SHORT: Common. (The connector “DGND” can be open.) <Default>

[JP5] (VD1): Regulator +3.3V or VD1 connector

OPEN: VD1 pin is supplied from VD1 connector.
 SHORT: VD1 pin is supplied to regulator +3.3V. (The connector “VD1” can be open.) <Default>

[JP7] (VCC): VVD connector or VCC connector

OPEN: Logic voltage is supplied from VCC connector.

SHORT: Logic voltage is supplied form VVD connector. (The connector “VCC” can be open.) <Default>

[JP8] (VVD): VD1 connector or VVD connector

OPEN: VVD1 and VVD2 pins are supplied from VVD connector.

SHORT: VVD1 and VVD2 pins are supplied from VD connector.
 (The connector “VVD” can be open.) <Default>

The regulator can be supplied 3.3V to all circuits by shorting JP5, JP7 and JP8 and supplying 12V to VP connector.

■ The function of the toggle SW

[SW1] (PDN): Resets the AK4709. Keep “H” during normal operation.

■ The indication content for INT pin

Changes of the 08H status can be monitored via the TEST1 (INT). The INT pin is the open drain output and goes “L” for 2 μ s (typ.) when the status of 08H is changed.

■ Serial Control

The AK4709 can be controlled via the printer port (parallel port) of IBM-AT compatible PC. Connect PORT1 (CTRL) with PC by 10-line flat cable packed with the AKD4709-A. The control software packed with this evaluation board supports I²C control only.

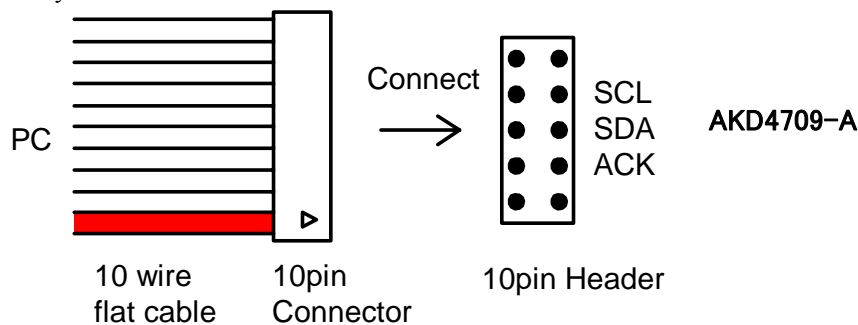


Figure 2. Connect of 10-line flat cable

■ Analog Input/Output List

		Signal Name	Note
Audio	Input	J3 (VCRINL), J7 (VCRINR), J11 (TVINL), J15 (TVINR)	Max. 2Vrms
		J19 (AINL+), J27 (AINR+) J20 (AINL+, AINL-), J27 (AINR+, AINR-),	Max. 2Vrms
	Output	J4 (TVOUTL), J8 (TVOUTR), J12 (VCROUTL), J12 (VCROUTR)	Max. 2.15Vrms
Video	Input	J1 (ENCV), J5 (ENCY), J9 (ENCRC), J13 (ENCC), J17 (ENCG) J22 (ENCB), J25 (TVVIN), J28 (VCRVIN), J30 (VCRRC) J31 (VCRG), J33 (VCRB)	Max. 1.25Vpp
	Output	J2 (TVVOUT), J6 (TVRC), J10 (TVG), J14 (TVB) J18 (VCRVOUT), J23 (VCRVOUT)	Max. 2.5Vpp
Slow Blanking	Input	J26 (VCRSB)	Max. VP+0.3V
	Output	J24 (TVSB), J26 (VCRSB)	Max. VP
Fast Blanking	Input	J32 (VCRFB)	Max. VVD1+0.3V
	Output	J21 (TVFB)	Max. VVD2

Table 1. Analog Input/Output List

Control Soft Manual

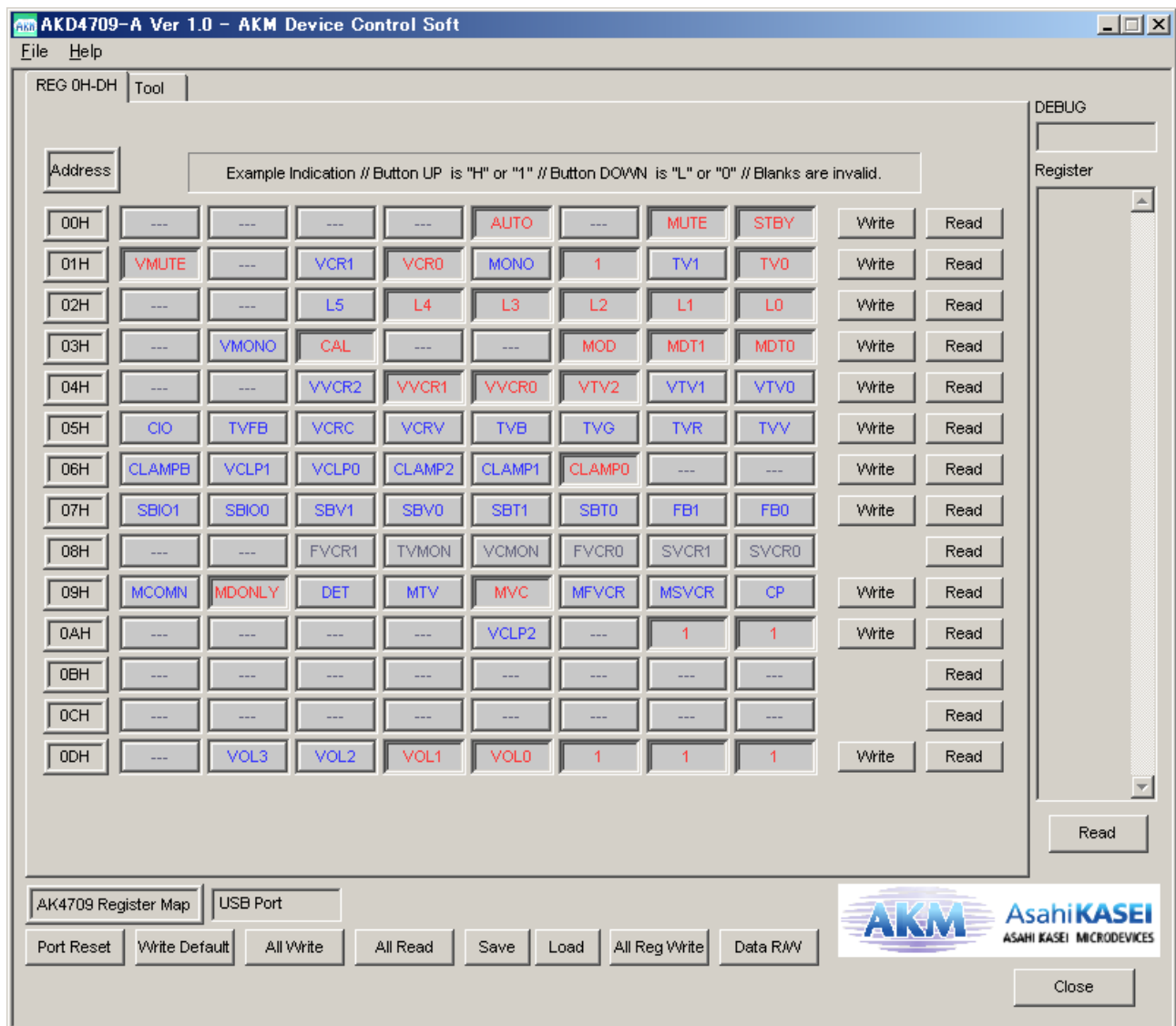
■ Evaluation Board and Control Soft Settings

1. Set an evaluation board properly.
2. Connect the evaluation board to an IBM PC/AT compatible PC by a 10wire flat cable. Be aware of the direction of the 10pin header. When running this control soft on the Windows 2000/XP, the driver which is included in the CD must be installed. Refer to the “Driver Control Install Manual for AKM Device Control Software” for installing the driver. When running this control soft on the windows 95/98/ME, driver installing is not necessary. This control soft does not support the Windows NT.
3. Proceed evaluation by following the process below.

■ Operation Screen

1. Start up the control program following the process above.

The operation screen is shown below.



■ Operation Overview

Function, register map and testing tool can be controlled by this control soft. These controls are selected by upper tabs.

Buttons which are frequently used such as register initializing button “Write Default”, are located outside of the switching tab window. Refer to the “■ Dialog Boxes” for details of each dialog box setting.

1. [Port Reset]: For when connecting to USB I/F board (AKDUSBIF-A)
Click this button after the control soft starts up when connecting USB I/F board (AKDUSBIF-A).
2. [Write Default]: Register Initializing
When the device is reset by a hardware reset, use this button to initialize the registers.
3. [All Write]: Executing write commands for all registers displayed.
4. [All Read]: Executing read commands for all registers displayed.
5. [Save]: Saving current register settings to a file.
6. [Load]: Executing data write from a saved file.
7. [All Reg Write]: [All Reg Write] dialog box is popped up.
8. [Data R/W]: [Data R/W] dialog box is popped up.
9. [Read]: Reading current register settings and display on to the Register area (on the right of the main window).
This is different from [All Read] button, it does not reflect to a register map, only displaying hexadecimal.

■ Tab Functions

[REG 0H~DH]: Register Map

This tab is for a register writing and reading.

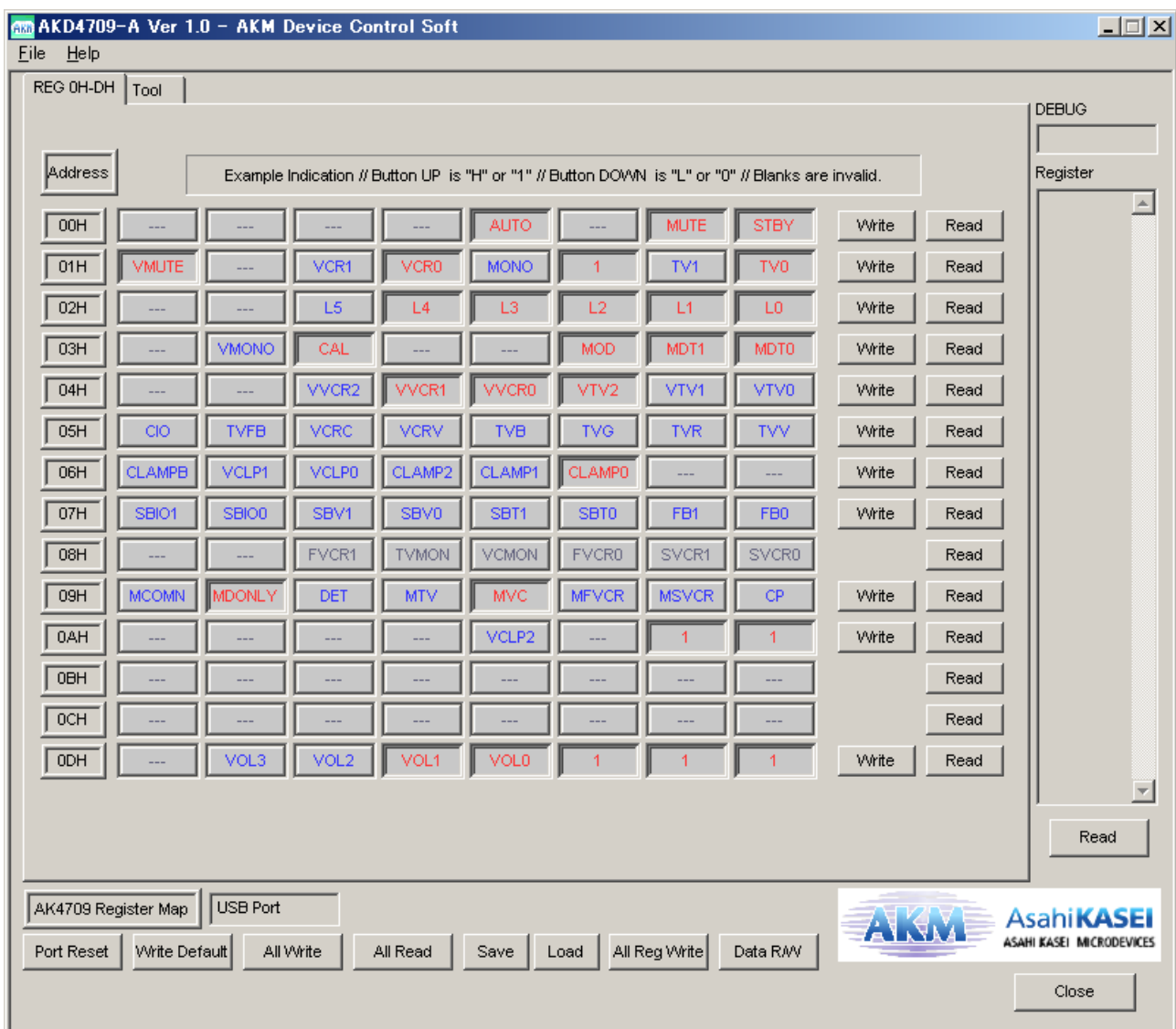
Each bit on the register map is a push-button switch.

Button Down indicates “H” or “1” and the bit name is in red (when read only it is in deep red).

Button Up indicates “L” or “0” and the bit name is in blue (when read only it is in gray)

Grayout registers are [Read Only] registers. They can not be controlled.

The registers which is not defined in the datasheet are indicated as “---”.

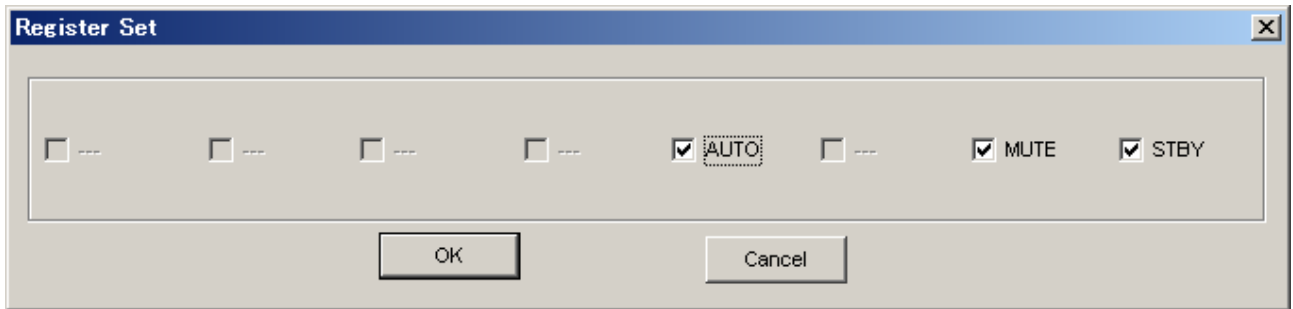


[Write]: Data Writing Dialog

It is for when changing two or more bits on the same address at the same time.

Click [Write] button located on the right of the each corresponded address for a pop-up dialog box.

When checking the checkbox, the register will be “H” or “1”, when not checking the register will be “L” or “0”.
Click [OK] to write setting value to the registers, or click [Cancel] to cancel this setting.



[Read]: Data Read

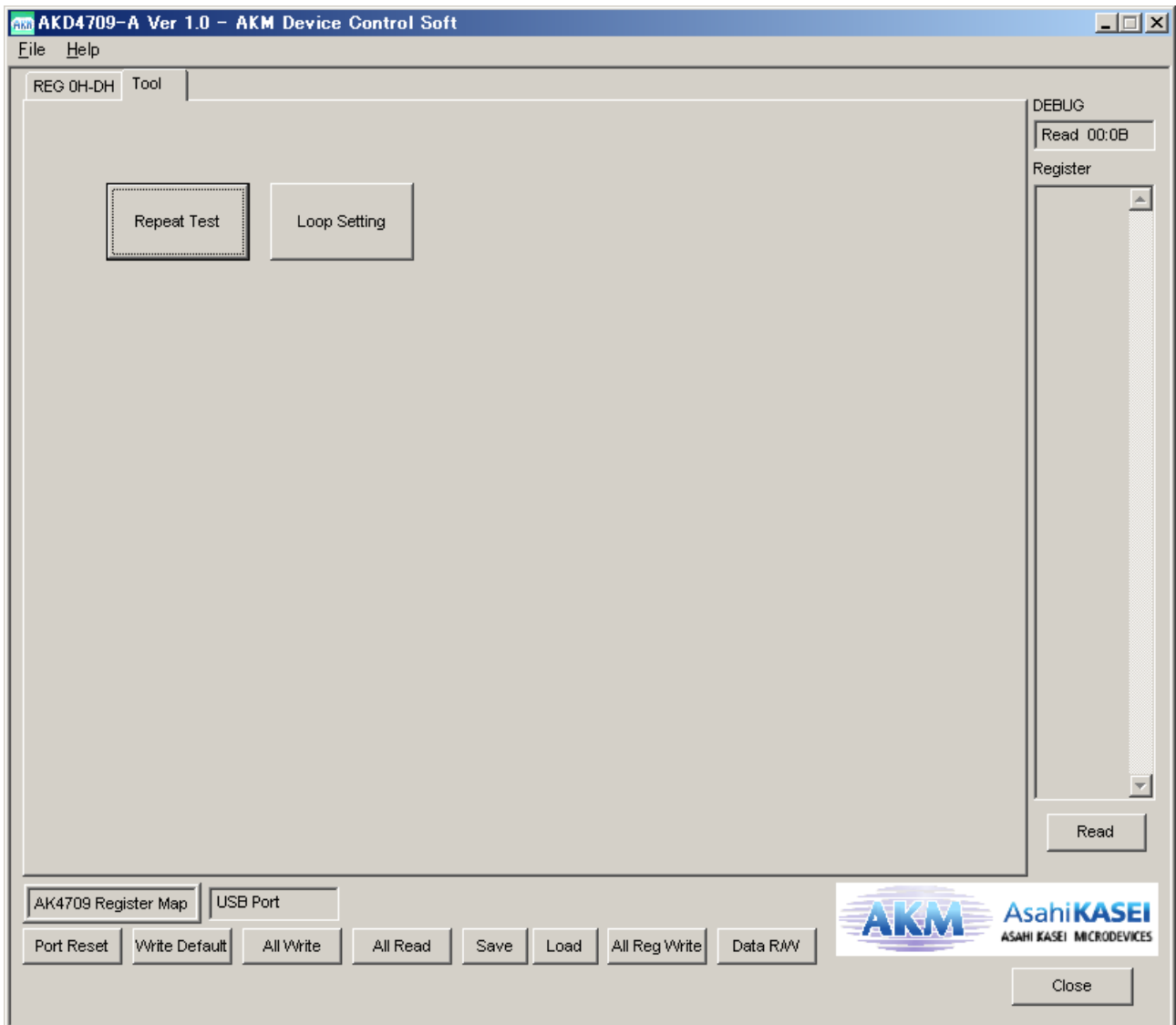
Click [Read] button located on the right of the each corresponded address to execute register reading.

After register reading, the display will be updated regarding to the register status.
Button Down indicates “H” or “1” and the bit name is in red (when read only it is in deep red).
Button Up indicates “L” or “0” and the bit name is in blue (when read only it is in gray)

Please be aware that button statuses will be changed by Read command.

[Tool]: Testing Tools

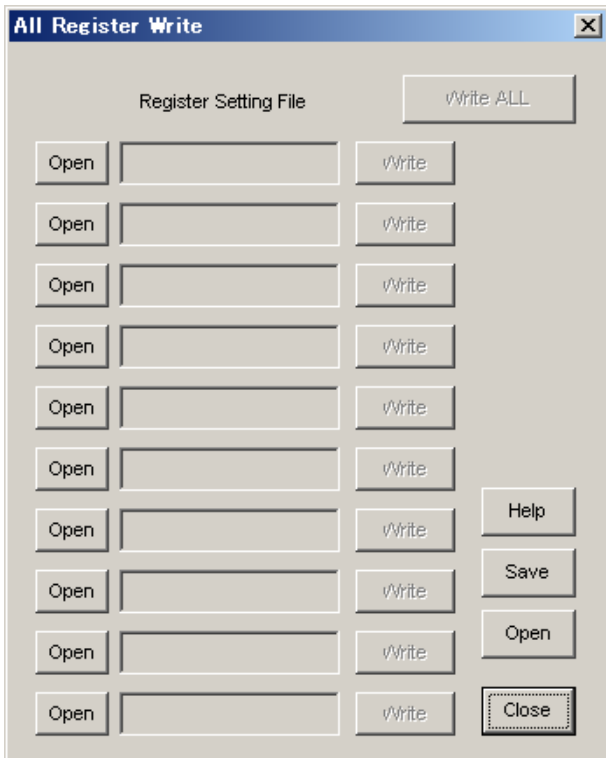
This tab screen is for evaluation testing tool.
Click buttons for each testing tool.



■ Dialog Boxes

1. [All Req Write]: All Req Write dialog box

Click [All Reg Write] button in the main window to open register setting files.
 Register setting files saved by [SAVE] button can be applied.



[Open (left)]: Selecting a register setting file (*.akr).

[Write]: Executing register writing.

[Write All]: Executing all register writings.

Writings are executed in descending order.

[Help]: Help window is popped up.

[Save]: Saving the register setting file assignment. The file name is “*.mar”.

[Open (right)]: Opening a saved register setting file assignment “*. mar”.

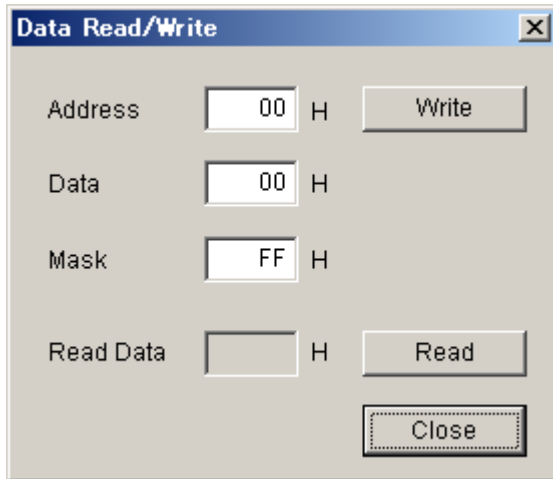
[Close]: Closing the dialog box and finish the process.

*Operating Suggestions

- (1) Those files saved by [Save] button and opened by [Open] button on the right of the dialog “*.mar” should be stored in the same folder.
- (2) When register settings are changed by [Save] button in the main window, re-read the file to reflect new register settings.

2. [Data R/W]: Data R/W Dialog Box

Click the [Data R/W] button in the main window for data read/write dialog box.
Data write is available to specified address.



Address Box: Input data address in hexadecimal numbers for data writing.

Data Box: Input data in hexadecimal numbers.

Mask Box: Input mask data in hexadecimal numbers.

This is "AND" processed input data.

[Write]: Writing to the address specified by "Address" box.

[Read]: Reading from the address specified by "Address" box.

The result will be shown in the Read Data Box in hexadecimal numbers.

[Close]: Closing the dialog box and finish the process.

Data writing can be cancelled by this button instead of [Write] button.

*The register map will be updated after executing [Write] or [Read] commands.

MEASUREMENT RESULTS

■ Audio

[Measurement condition]

- Measurement unit : Audio Precision SYS-2722
- BW : 20Hz~20kHz
- Power Supply : VP=12V, VD1=3.3V, VD2=3.3V, VDD1=3.3V, VDD2=3.3V
- Interface : Input: Cannon, Output: BNC
- Temperature : Room
- Volume#0 Gain : 0dB
- Measurement signal line path: AINL/AINR → Volume#0 → Volume#1 → TVOUTL/TVOUTR

Parameter	Input signal	Measurement filter	Results Lch [dB]	Results Rch [dB]
S/(N+D) (At 2Vrms Output)	1kHz, 0dBFS	20kLPF	95.0	94.9
DR	1kHz, -60dBFS	22kLPF, A-weighted	99.0	99.2
S/N	“no-input	22kLPF, A-weighted	99.0	99.2

Plots

Figure 1-1. FFT (1kHz, 0dBFS input) at 2Vrms output

Figure 1-2. FFT (1kHz, -60dBFS input)

Figure 1-3. FFT (Noise floor)

Figure 1-4. THD+N vs. Input Level (fin=1kHz)

Figure 1-5. THD+N vs. fin (Input Level=0dBFS)

Figure 1-6. Linearity (fin=1kHz)

Figure 1-7. Frequency Response (Input Level=0dBFS)

Figure 1-8. Crosstalk (Input Level=0dBFS)

■ Video

[Measurement condition]

- Signal Generator : Sony Tectronix TG2000
- Measurement unit : Sony Tectronix VM700T
- Power Supply : VP=12V, VD1=3.3V, VD2=3.3V, VDD1=3.3V, VDD2=3.3V
- Interface : Input: BNC, Output: BNC
- Temperature : Room
- Measurement signal line path: S/N: ENCV → TVVOUT
Y/C Crosstalk: ENCV → TVVOUT, ENCRC → TVRC
DG, DP: ENCV → TVVOUT

Parameter	Input Signal	Measurement Filter	Results	Unit
S/N	0% Flat Field	BW=15kHz to 5MHz Filter=Uni-Weighted	76.2	dB
Y/C Crosstalk (Measured at TVVOUT)	100% Red Field (Y→ENCV, C→ENCRC)	BW=15kHz to Full	-59.5 (Note1)	dB
DG	Modulated 5 step		Min: -0.36 Max: 0.00	%
DP	Modulated 5 step		Min: -0.95 Max: 0.28	deg.

Plots

Figure 2-1. Noise spectrum (Input=0% Flat Field, BW=15kHz to 5MHz, Filter=Uni-Weighted)

Figure 2-2. Y/C Crosstalk (Measured at TVVOUT, Input= 100% Red, ENCV=Y, ENCRC=C), BW=15kHz to Full)

Figure 2-3. DG, DP (Input= Modulated 5 step)

(Note1) Y/C Crosstalk: Reference Measurement: Results: 1.7dB (p-p)

Composite signal→ENCV, no input→ENCRC, TVRC is terminated by 75Ohm.

Y/C Crosstalk: Measurement: Results: -57.8dB (p-p)

Y→ENCV, C→ENCRC, TVRC is terminated by 75Ohm.

Y/C Crosstalk calculation: -57.8dB (p-p) – 1.7dB (p-p) = -59.5dB (p-p)

Plots (Audio)

AK4709 AINL/AINR → TVOUTL/TVOUTR: FFT: fin=1KHz, Input Level=0dB

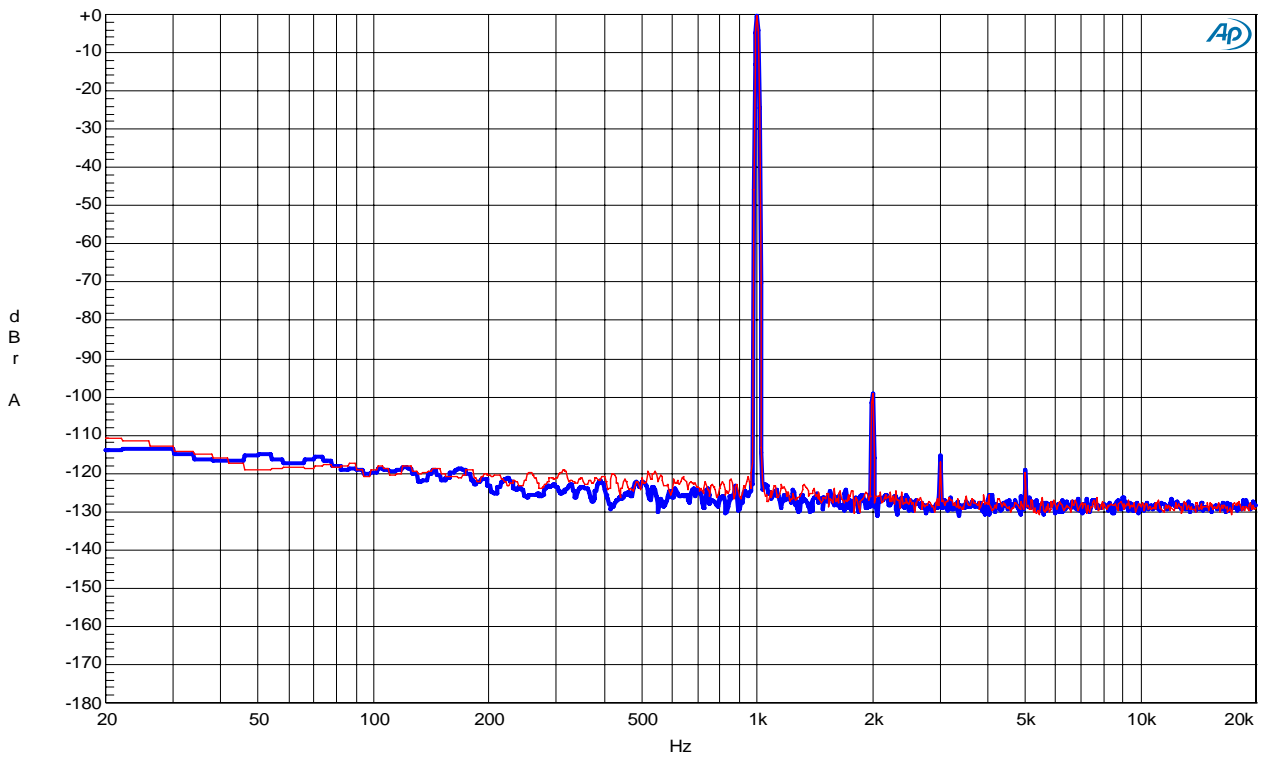


Figure1-1. FFT (fin=1kHz, Input Level=0dB)

AK4709 AINL/AINR → TVOUTL/TVOUTR: FFT: fin=1KHz, Input Level=-60dB

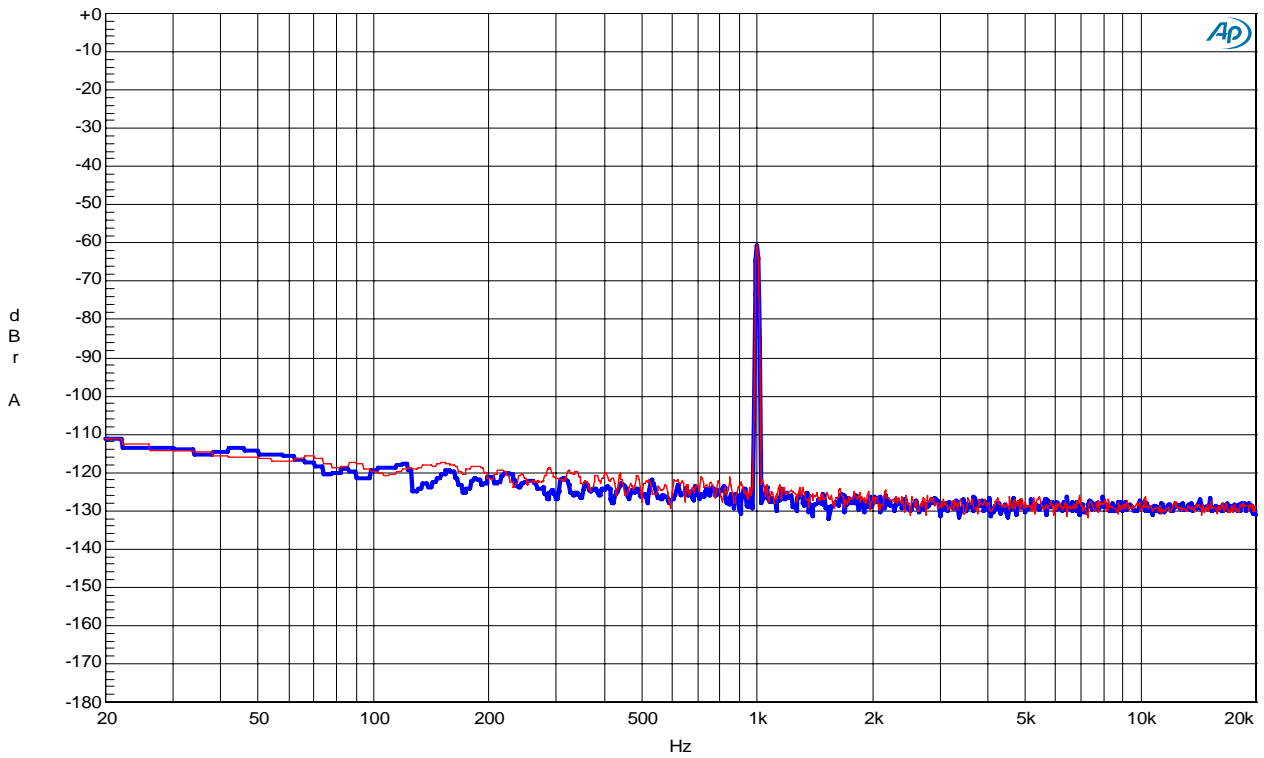


Figure-1-2. FFT (fin=1kHz Input Level=-60dB)

AK4709 AINL/AINR → TVOUTL/TVOUTR: FFT: No-input

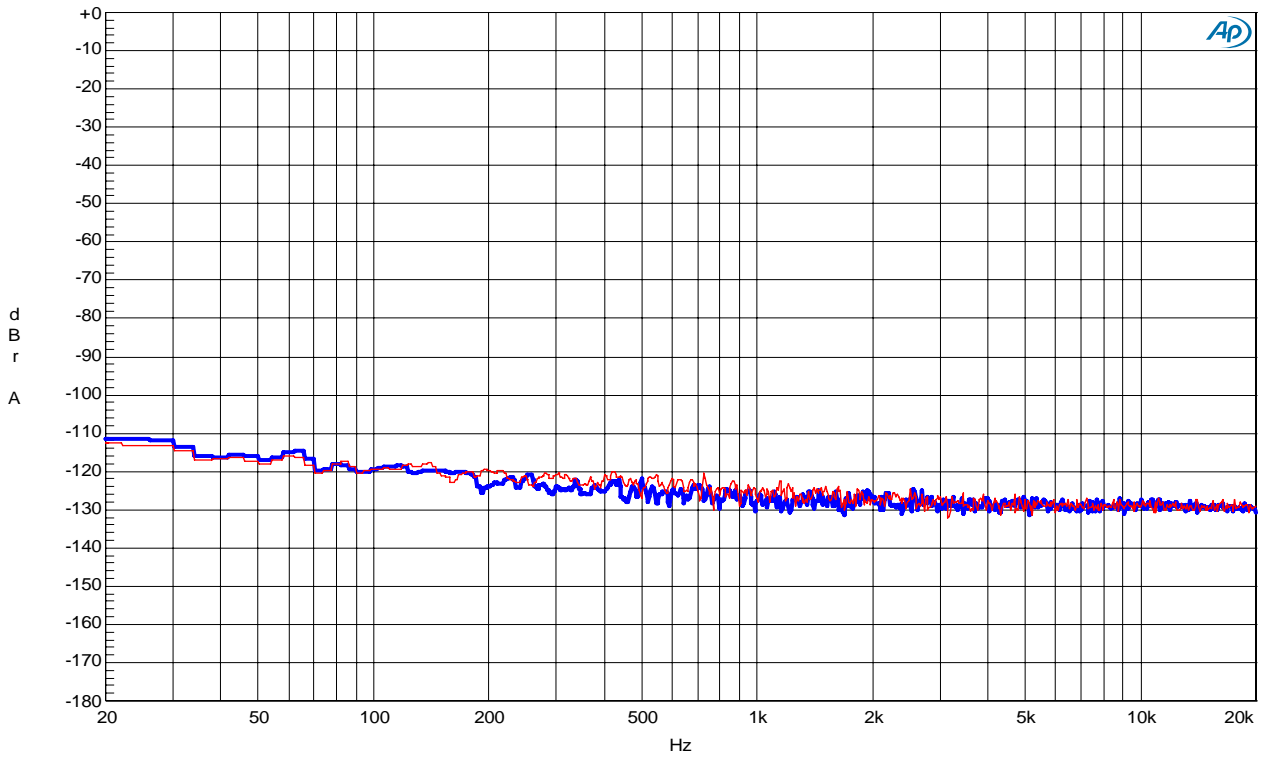


Figure1-3. FFT (Noise Floor)

AK4709 AINL/AINR → TVOUTL/TVOUTR: THD+N Amplitude vs Input Amplitude: fin=1KHz

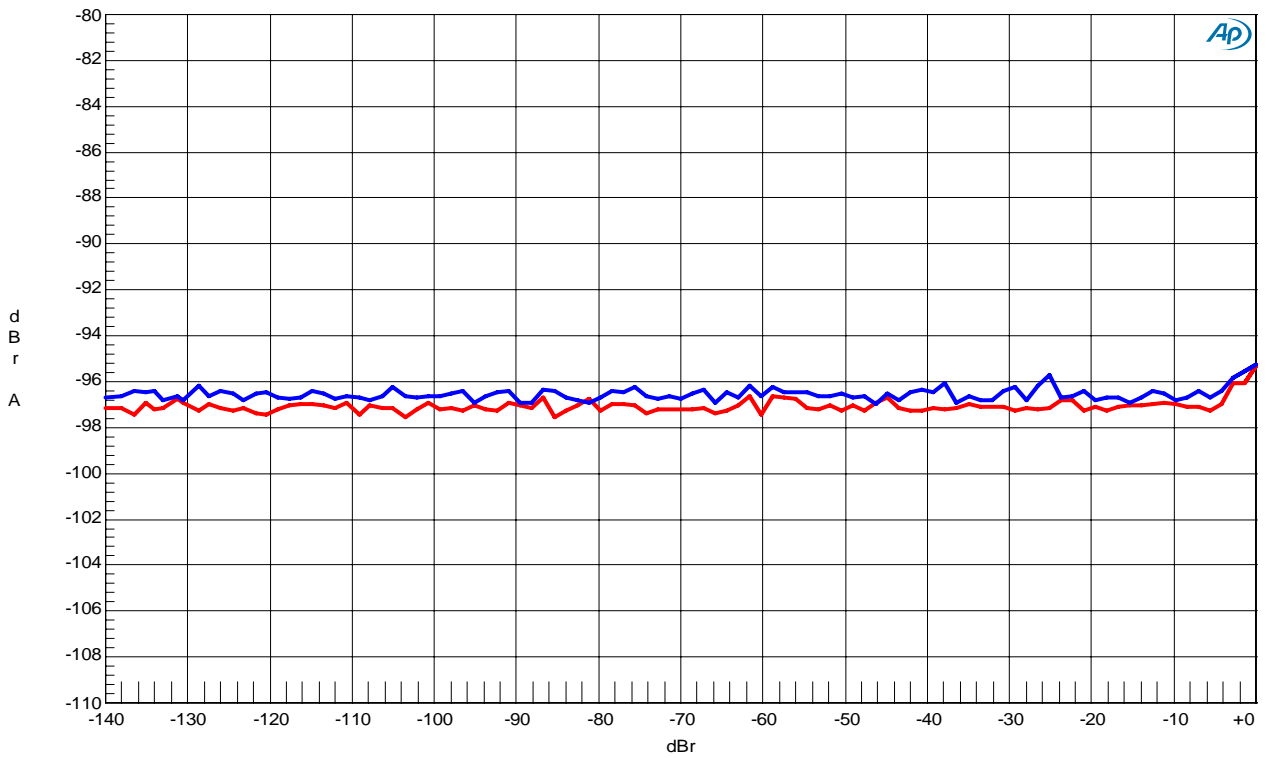


Figure1-4. THD+N vs. Input level (fin=1kHz)

AK4709 AINL/AINR → TVOUTL/TVOUTR: THD+N Amplitude vs Input Frequency: Input Level=0dB

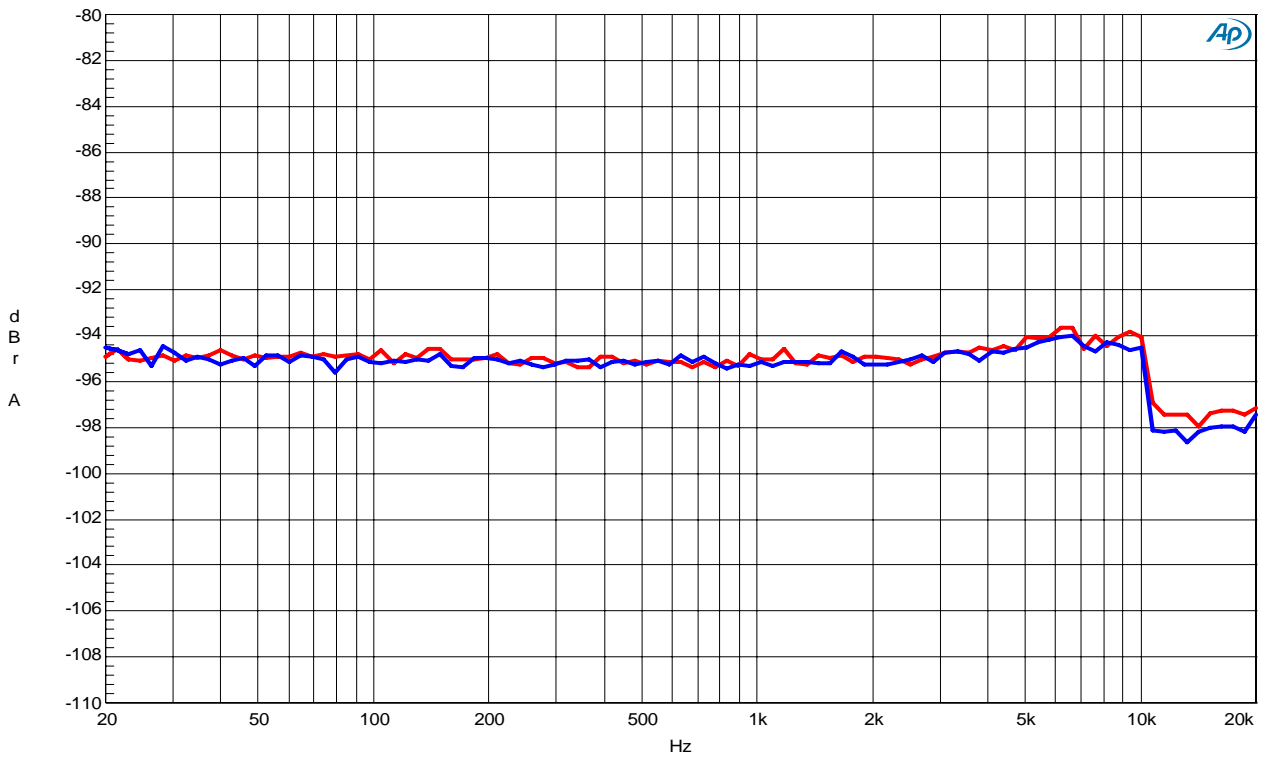


Figure1-5. THD+N vs. Input Frequency (Input level=0dB)

AK4709 AINL/AINR → TVOUTL/TVOUTR: Linearity: fin=1KHz

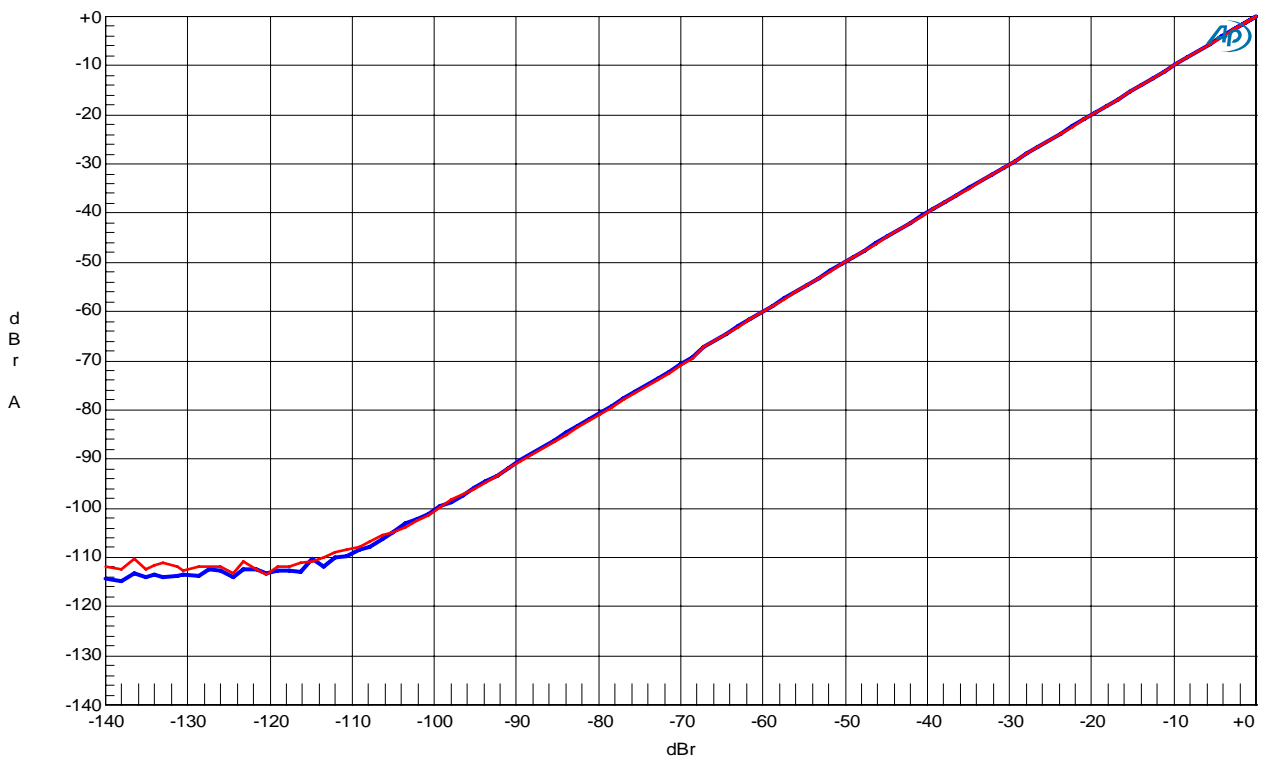


Figure1-6.Linearity (fin=1kHz)

AK4709 AINL/AINR → TVOUTL/TVOUTR: Frequency Response: Input Level=0dB

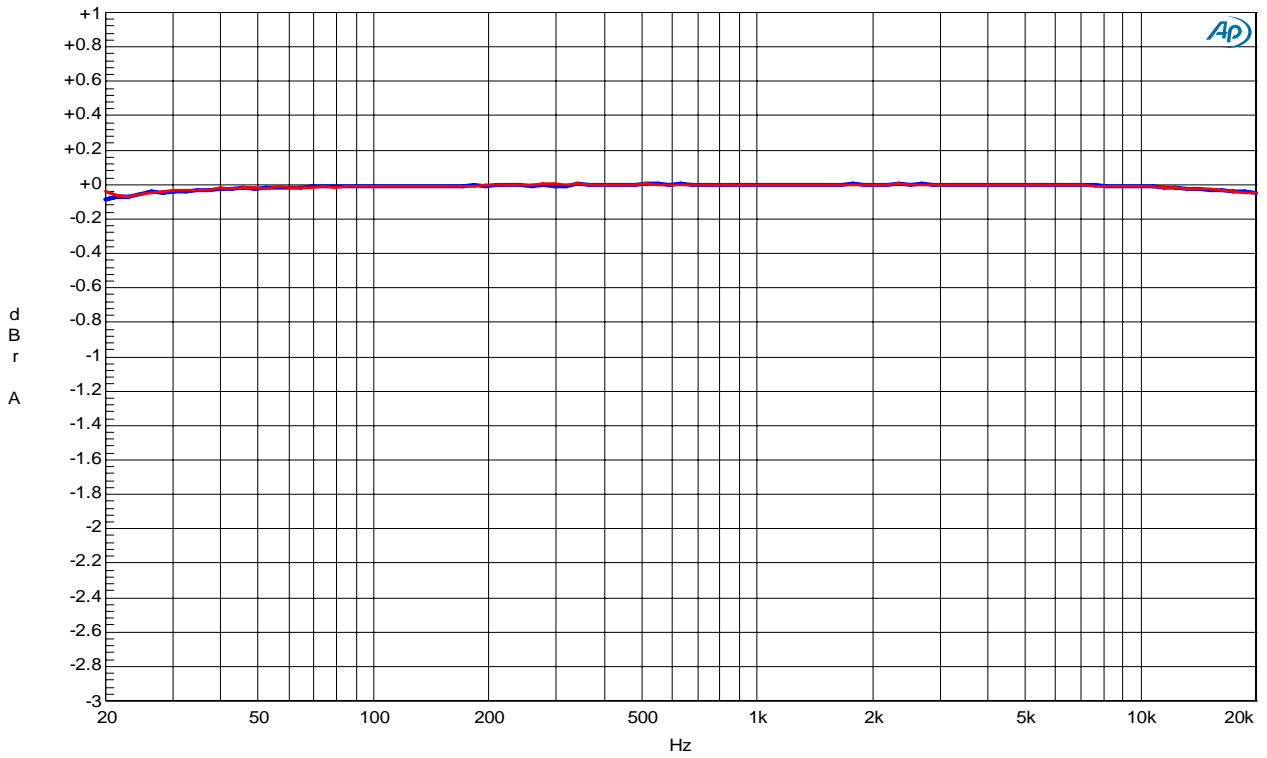


Figure1-7. Frequency Response (Input level=0dB)

AK4709 AINL/AINR → TVOUTL/TVOUTR: Crosstalk: fin=1KHz, Input Level=0dB / No-input

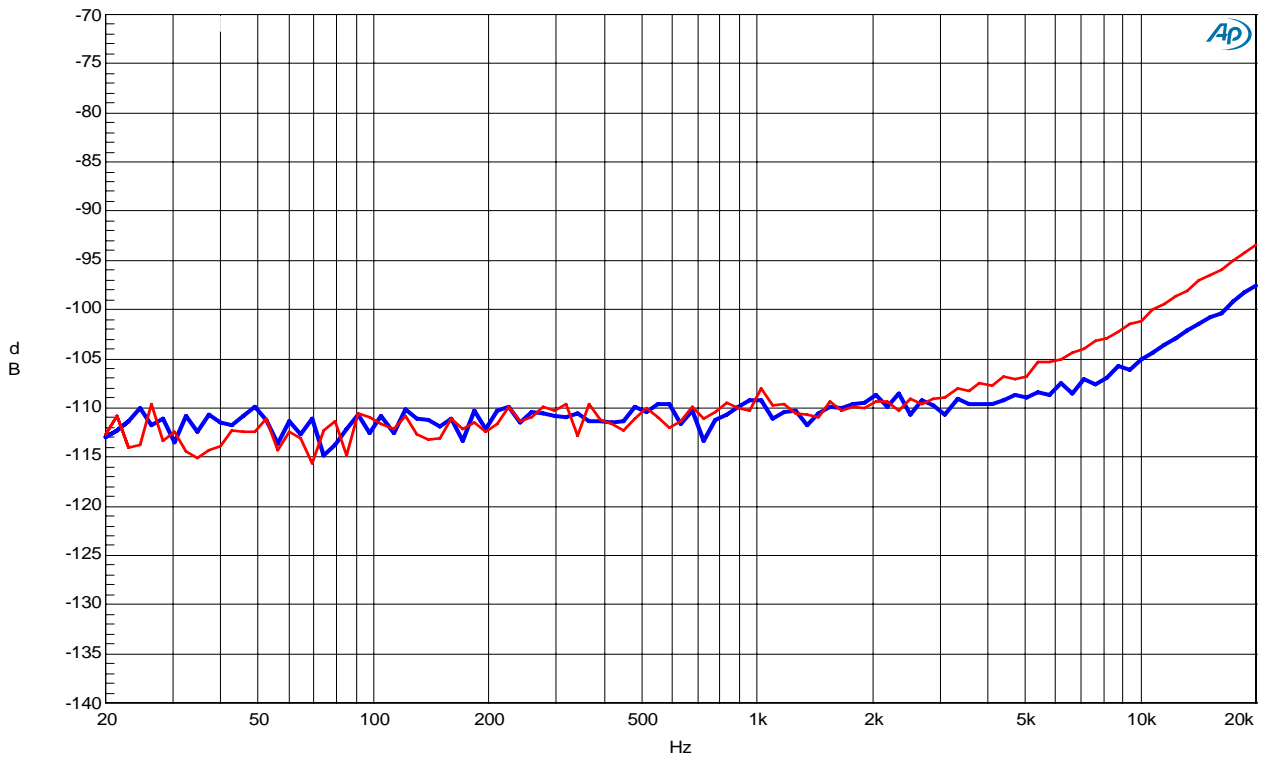


Figure1-8. Crosstalk (Input level=0dB)

Plots(Video)

AK4709 ENC → TVVOUT: S/N: Input Signal=0% Flat Field, BW=15kHz to 5MHz, Filter=Uni-Weighted

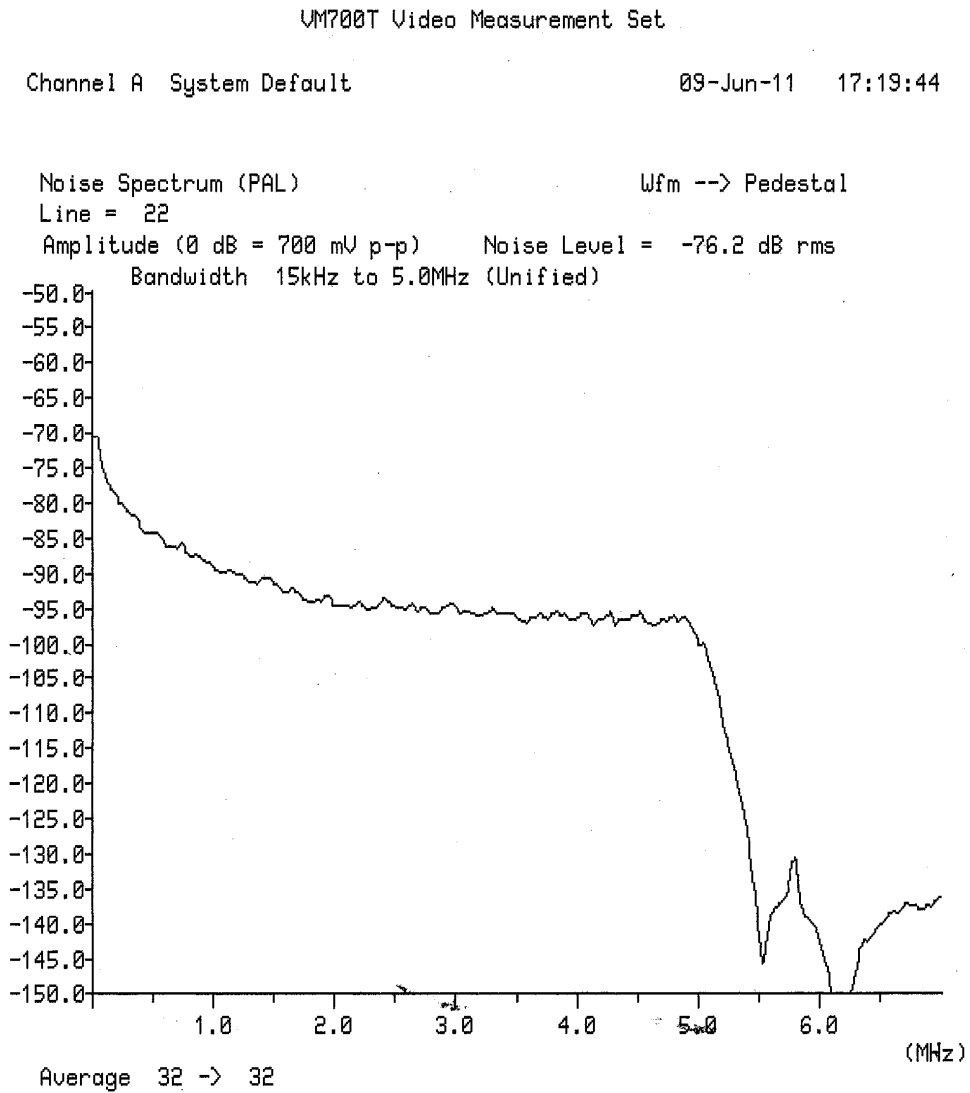


Figure 2-1. Noise spectrum (Input=0% Flat Field, BW=15kHz to 5MHz, Filter=Uni-Weighted)

AK4709 ENCV → TVVOUT / ENCRC→TVRC: Y/C Crosstalk: Input Signal=100% Red Field,
Y→ENCV, C→ENCRC, BW=15kHz to Full

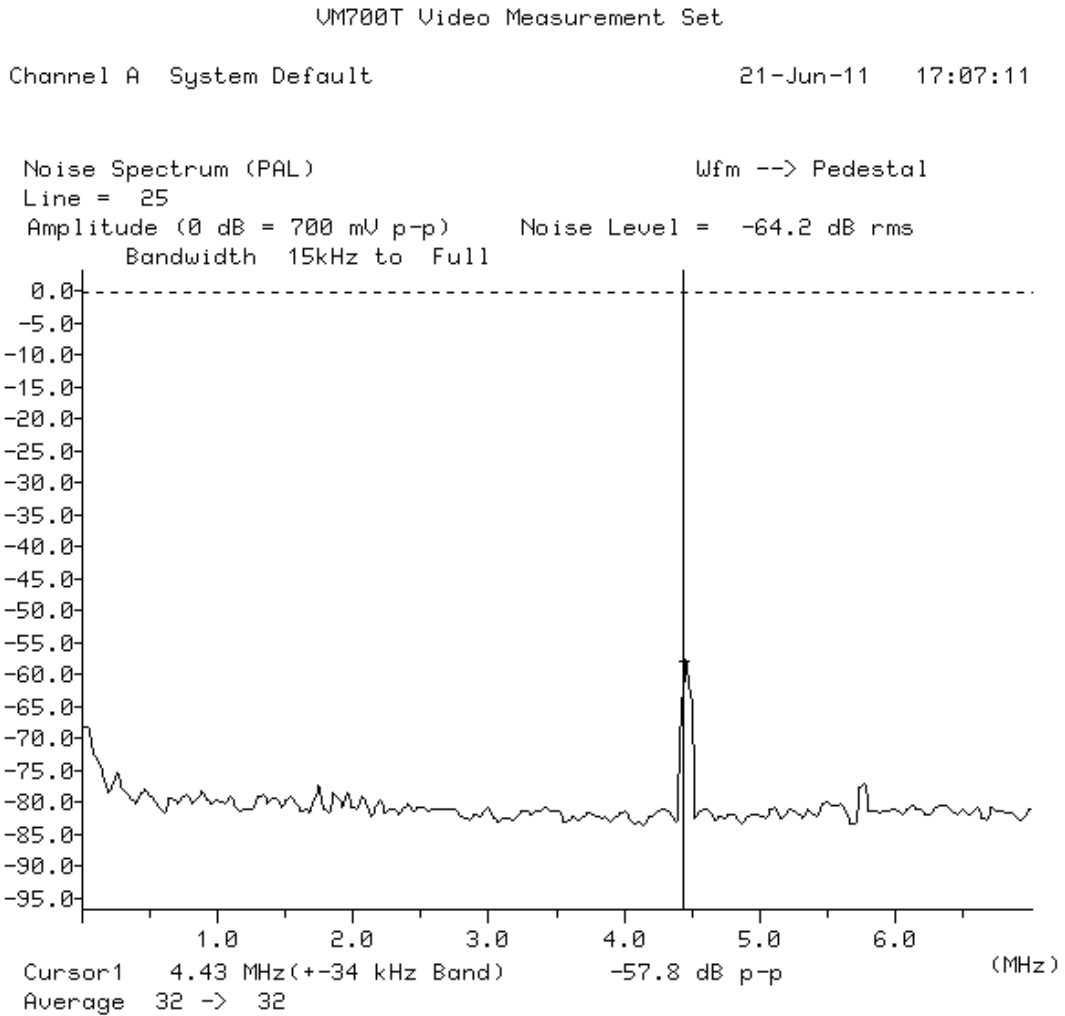


Figure 2-2 Crosstalk (Measured at TVVOUT, Input= 100% Red Field, Y→ENCV, C→ENCRC, BW=15kHz to Full)

AK4709 ENCV → TVVOUT: DG, DP: Input Signal=Modulated 5 step

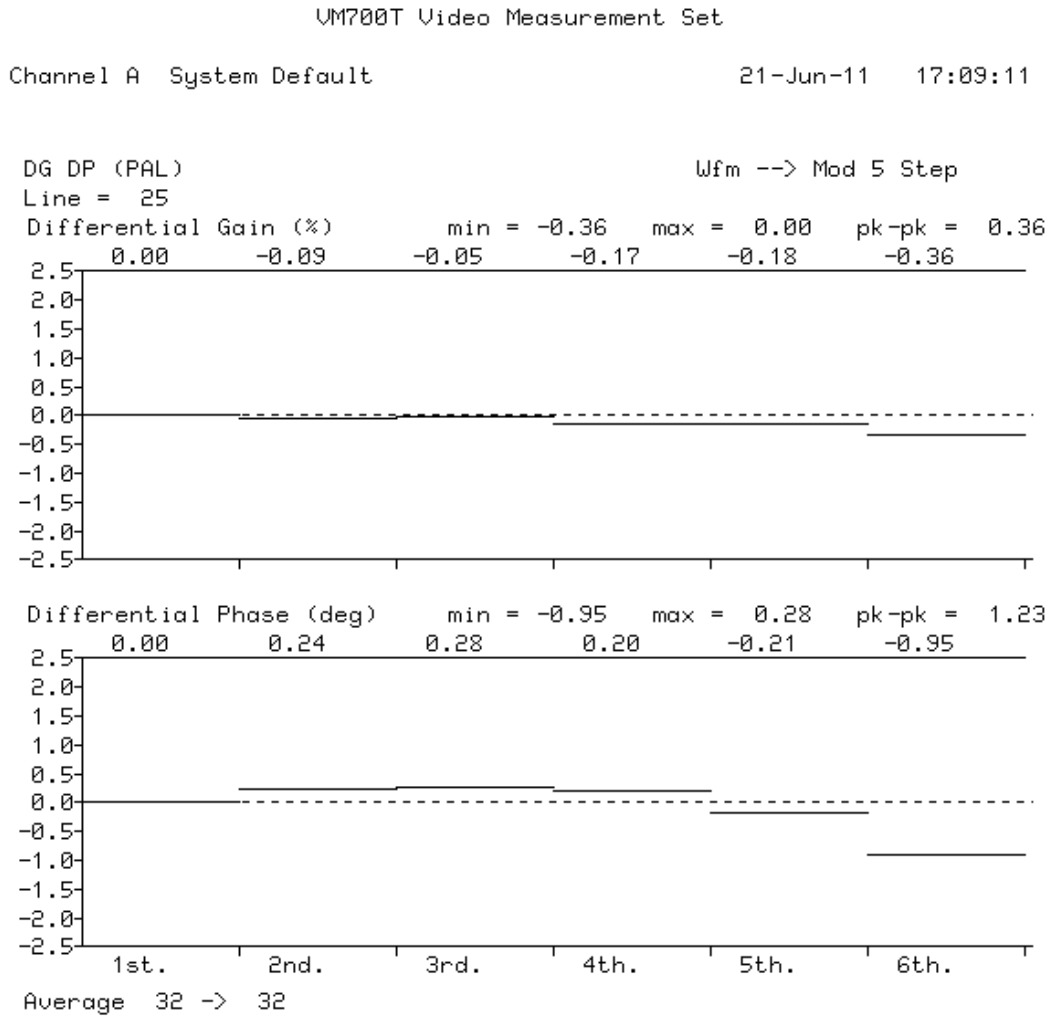


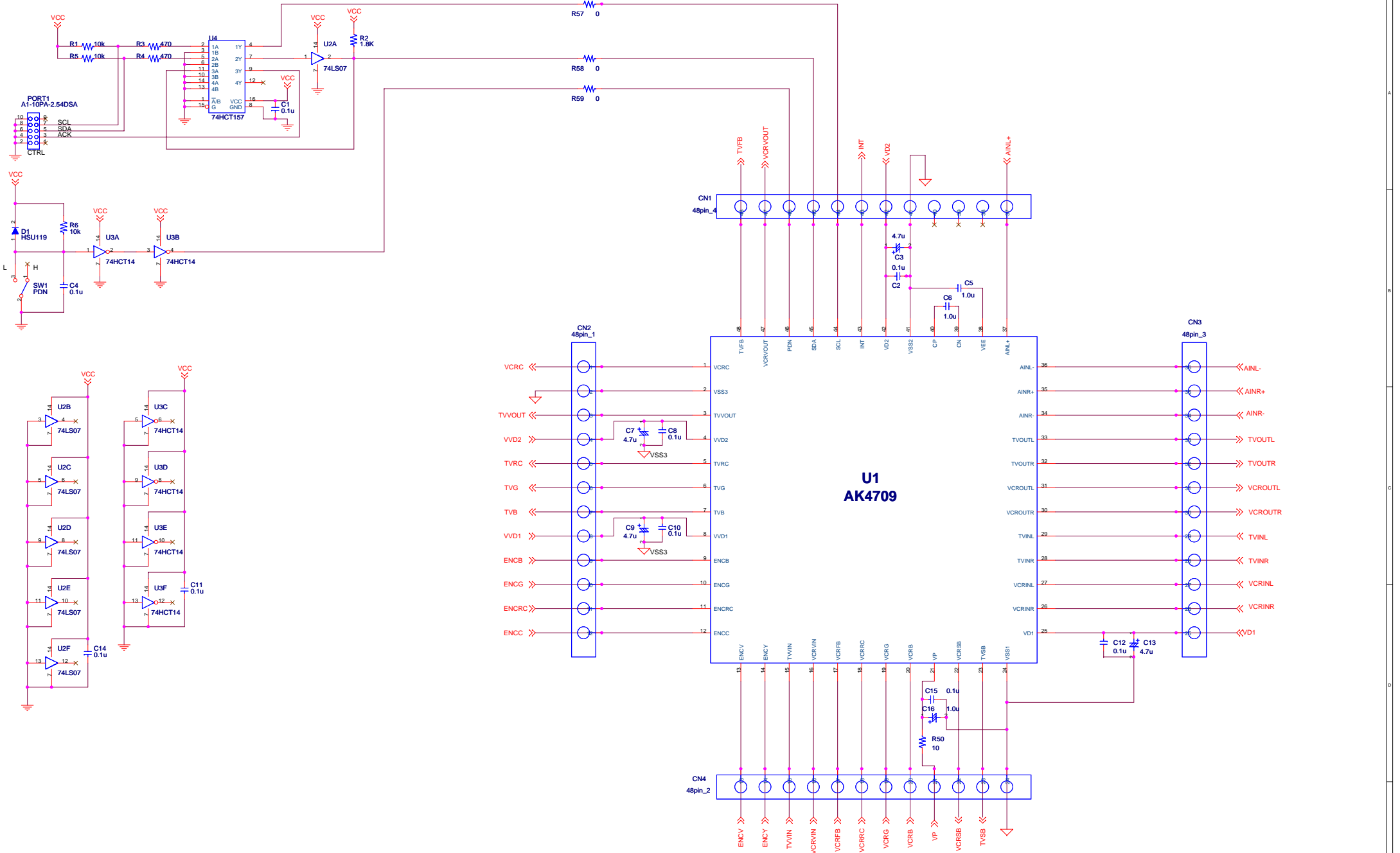
Figure 2-3 DG, DP (Input Signal= Modulated 5 step)

Revision History

Date (YY/MM/DD)	Manual Revision	Board Revision	Reason	Contents
10/05/24	KM103000	0	First Edition	
10/09/07	KM103001	1	Modification	Update of measurement results and Plots
11/06/21	KM103002	2	Modification	Update of measurement results and Plots

IMPORTANT NOTICE

- These products and their specifications are subject to change without notice.
When you consider any use or application of these products, please make inquiries the sales office of Asahi Kasei Microdevices Corporation (AKM) or authorized distributors as to current status of the products.
- Descriptions of external circuits, application circuits, software and other related information contained in this document are provided only to illustrate the operation and application examples of the semiconductor products. You are fully responsible for the incorporation of these external circuits, application circuits, software and other related information in the design of your equipments. AKM assumes no responsibility for any losses incurred by you or third parties arising from the use of these information herein. AKM assumes no liability for infringement of any patent, intellectual property, or other rights in the application or use of such information contained herein.
- Any export of these products, or devices or systems containing them, may require an export license or other official approval under the law and regulations of the country of export pertaining to customs and tariffs, currency exchange, or strategic materials.
- AKM products are neither intended nor authorized for use as critical components^{Note1)} in any safety, life support, or other hazard related device or system^{Note2)}, and AKM assumes no responsibility for such use, except for the use approved with the express written consent by Representative Director of AKM. As used here:
 - Note1)** A critical component is one whose failure to function or perform may reasonably be expected to result, whether directly or indirectly, in the loss of the safety or effectiveness of the device or system containing it, and which must therefore meet very high standards of performance and reliability.
 - Note2)** A hazard related device or system is one designed or intended for life support or maintenance of safety or for applications in medicine, aerospace, nuclear energy, or other fields, in which its failure to function or perform may reasonably be expected to result in loss of life or in significant injury or damage to person or property.
- It is the responsibility of the buyer or distributor of AKM products, who distributes, disposes of, or otherwise places the product with a third party, to notify such third party in advance of the above content and conditions, and the buyer or distributor agrees to assume any and all responsibility and liability for and hold AKM harmless from any and all claims arising from the use of said product in the absence of such notification.



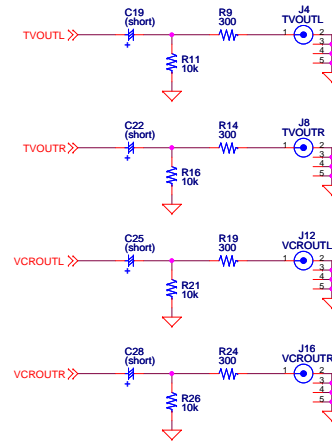
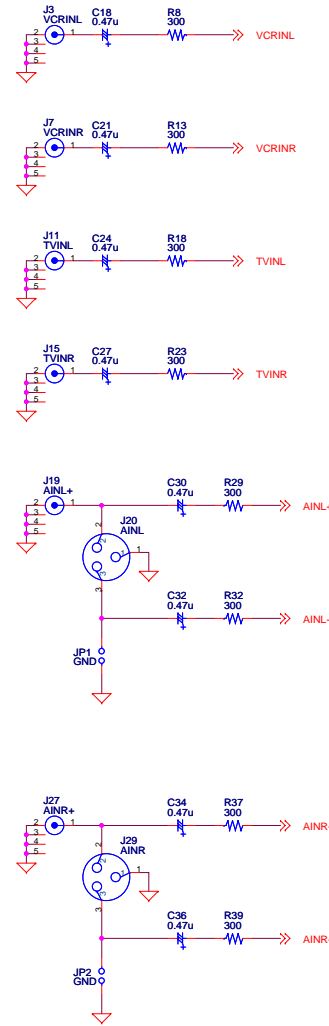
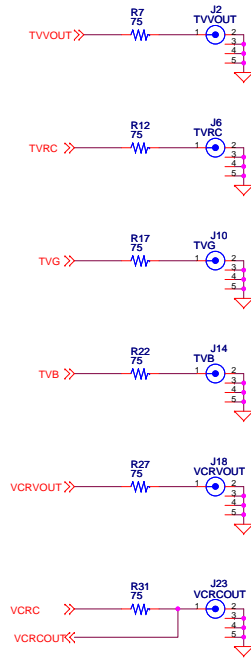
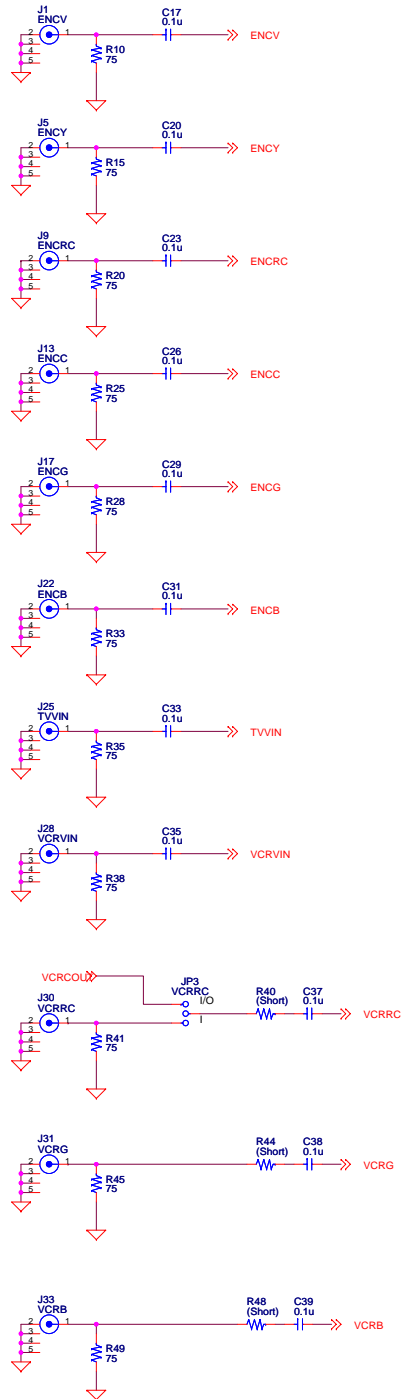
File			AKD4709-A	
Size	Document Number	AK4709 Logic		Rev
A2				0
Date:	Thursday, April 01, 2010	Sheet	1	of 3

Video Input

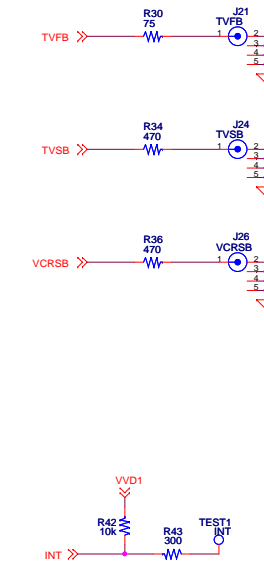
Video Output

Audio Input

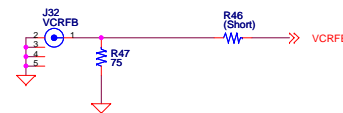
Audio Output



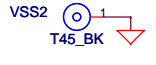
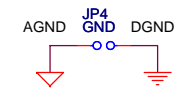
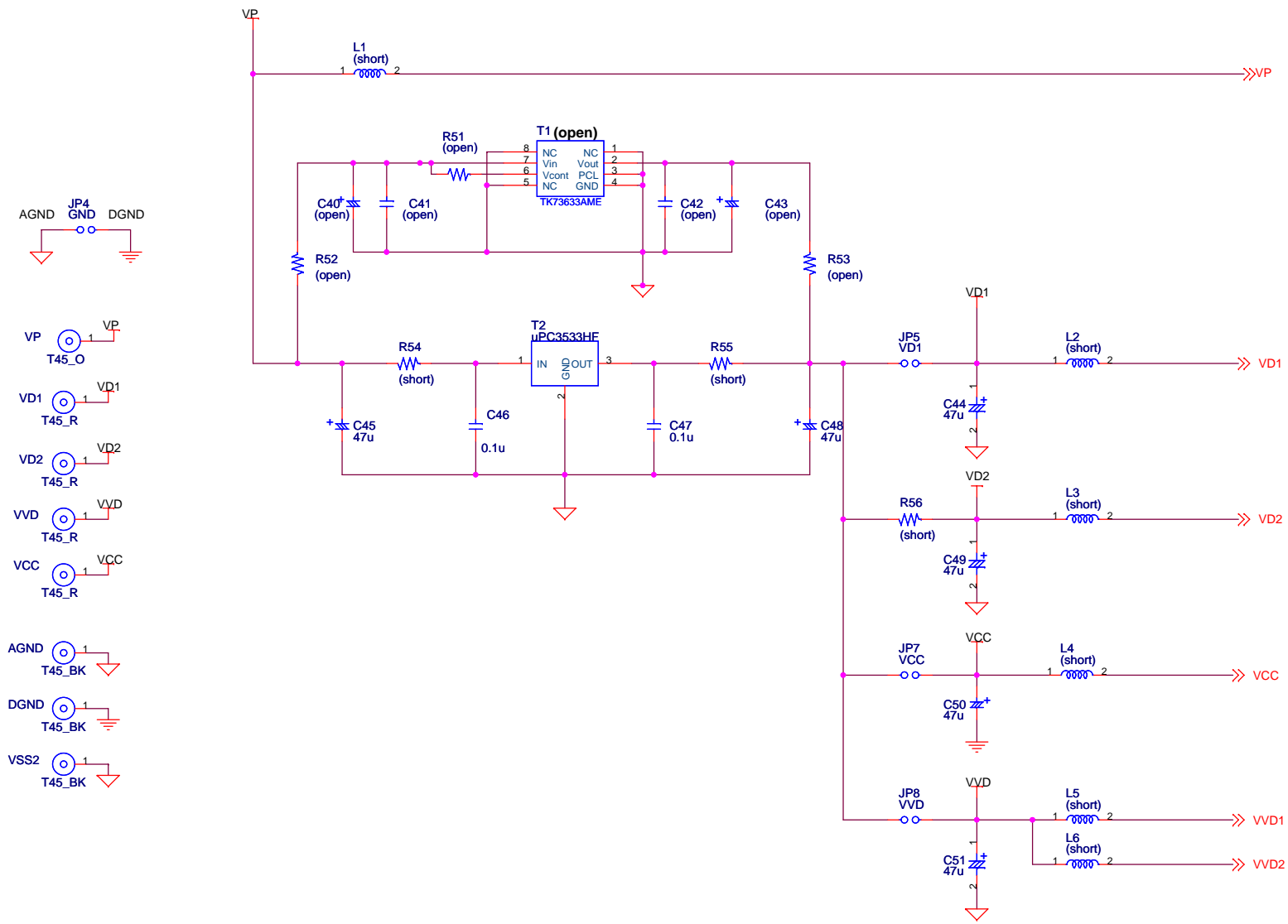
Blanking Output



Blanking Input



File				AKD4709-A	
Size	Document Number	Date		Rev	
A2		Tuesday, March 30, 2010		0	
Sheet			2 of 3		

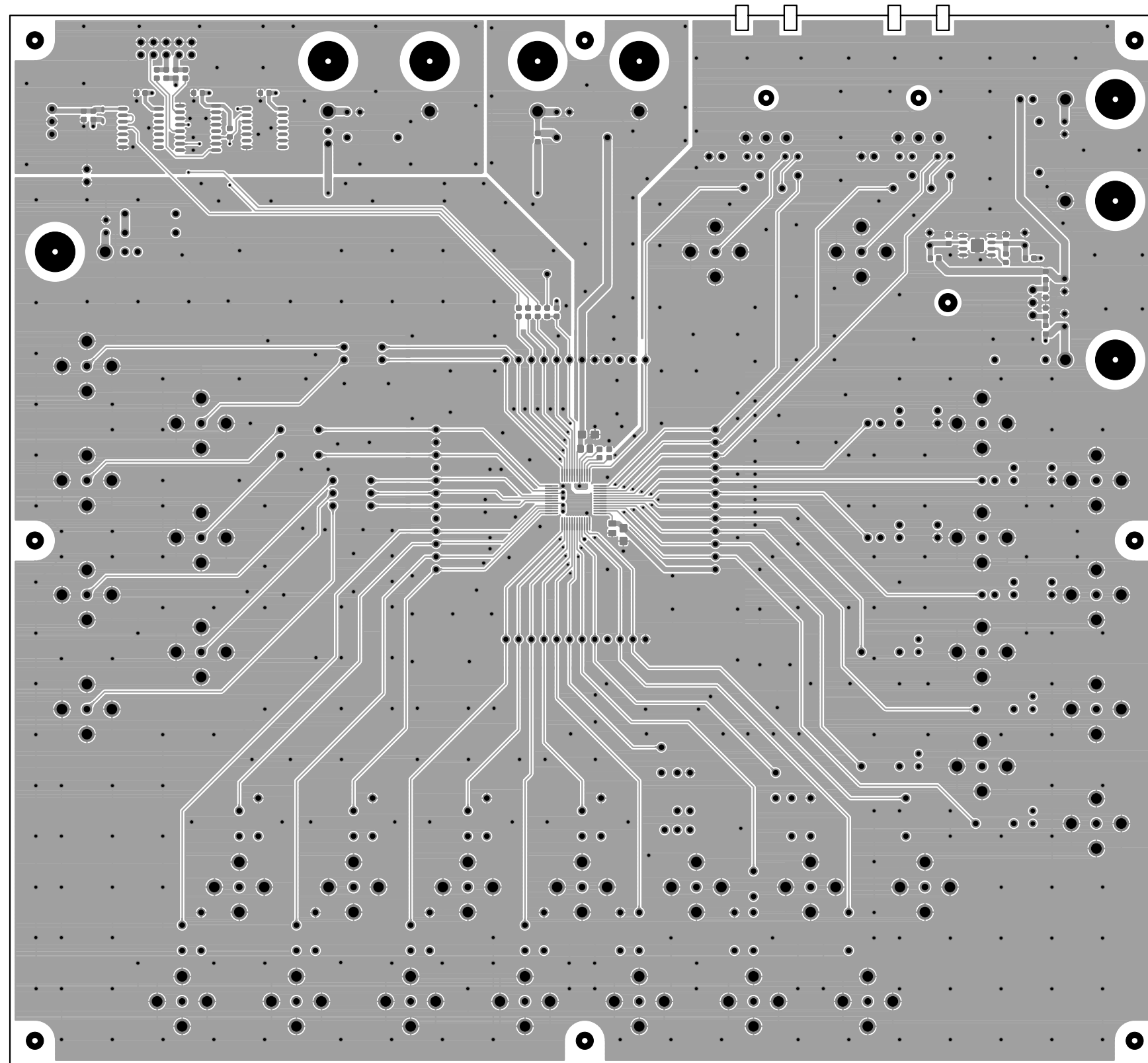


Title			AKD4709-A		
Size	Document Number	Power Supply			Rev
A3					0
Date:	Wednesday, March 31, 2010	Sheet	3	of	3

AKD4709-A Rev.0

部品面パターン図

部品面透視図



AKD4709-A Rev.0

半田面パターン図

部品面透視図

